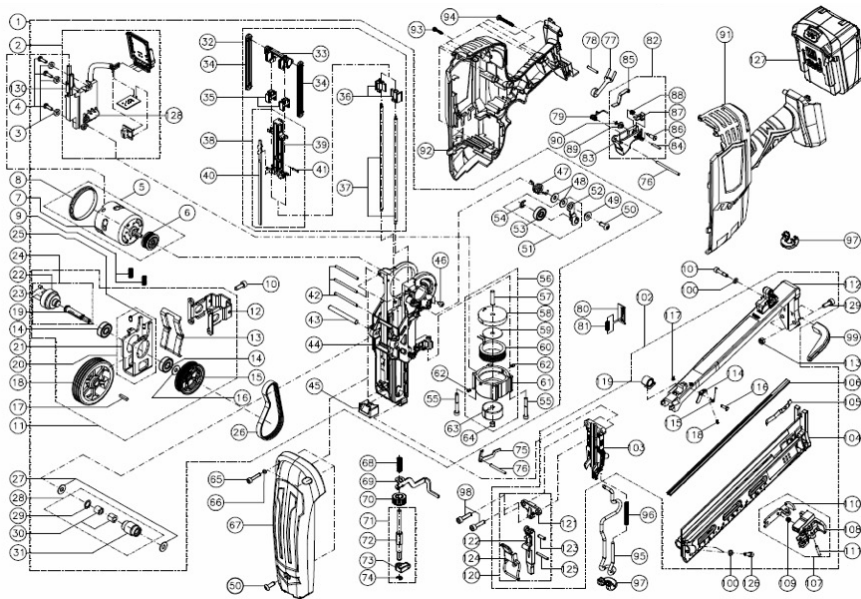


Ranger 2 16G INCLINED FINISH NAILER

For replacement parts contact your usual Tacwise supplier.

Exploded view drawing



Item	Description	Item	Description	Item	Description	Item	Description
1	Metal Frame Assembly	38	Driver Block Assembly	77	Release Blade	115	Spring
2	Controller Board Assembly	39	Driver Block	78	Pin	116	Shaft
3	Washer	40	Driver Blade	79	Spring	117	E-Ring
4	Screw	41	Spring Pin	80	Inner Trigger Contact Plate	118	Conical Spring
5	Pulley Motor Assembly	42	Pin	81	Spring	119	Spring
6	Pulley Motor	43	Pin	82	Trigger Assembly	120	Outlet Site Cover Set
7	Motor (18V)	44	Flywheel	83	Trigger	121	Stopper
8	Motor Spacer Ring	45	Bumper	84	Pin	122	Outlet Site Cover
9	Spring	46	Screw	85	Inner Trigger	123	Spring Pin
10	Screw	47	Spring	86	Shaft	124	Click Lever Set
11	Flywheel	48	Washer	87	Lock Stop	125	Pin
12	Bearing Seat	49	Washer	88	Spring	126	Screw
13	Plate	50	Screw	89	Trigger Push Button	127	18V 3Ah Battery
14	Ball Bearings	51	Idler Assembly	90	Ring	128	Ferrous Salt
15	Belt Pulley	52	Idler Lever Assembly	91	Left Plastic Housing	129	Screw
16	Washer	53	Ball Bearings	92	Right Plastic Housing	130	Ferrous Salt
17	Sliding Key	54	E-Ring	93	Screw		
18	Flywheel	55	Screw	94	Screw		
19	Flywheel Shaft	56	Solenoid Assembly	95	Release Catch A		
20	Fork Putter Assembly	57	Shaft	96	Spring		
21	Fork Putter	58	Seat	97	Nose Protector		
22	Ring Magnet Seat	59	Stainless Washer	98	Screw		
23	Magnet	60	Bobbin	99	Belt Hook		
24	Flywheel Shaft Assembly	61	Cover	100	Washer		
25	Pin	62	Screw	101	Screw		
26	Belt	63	Plunger	102	Magazine Set		
27	Washer	64	Bolt	103	Outlet Site		
28	Roller Assembly	65	Screw	104	Low Magazine		
29	C-Ring	66	Washer	105	Spring Plate		
30	Clean Metal Bearing	67	Top Cap	106	Spring Rail		
31	Roller	68	Spring	107	Pusher Set		
32	Band Support Housing Assembly	69	Release Catch	108	Carriage		
33	Band Support Housing	70	Depth Adjust. Wheel	109	Spring		
34	Bungee Cord	71	Depth Adjust. Rod Assembly	110	Pusher		
35	Metal Top Cap Back Bumper	72	Depth Adjust. Rod	111	Spring Pin		
36	Driver Block Guide Sleeve	73	WCE Connecting Part	112	Upper Magazine		
37	Guide Sleeve	74	E-Ring	113	Nylon Nut		
		75	Lockout	114	Constraint Block Lock Off		
		76	Pin				