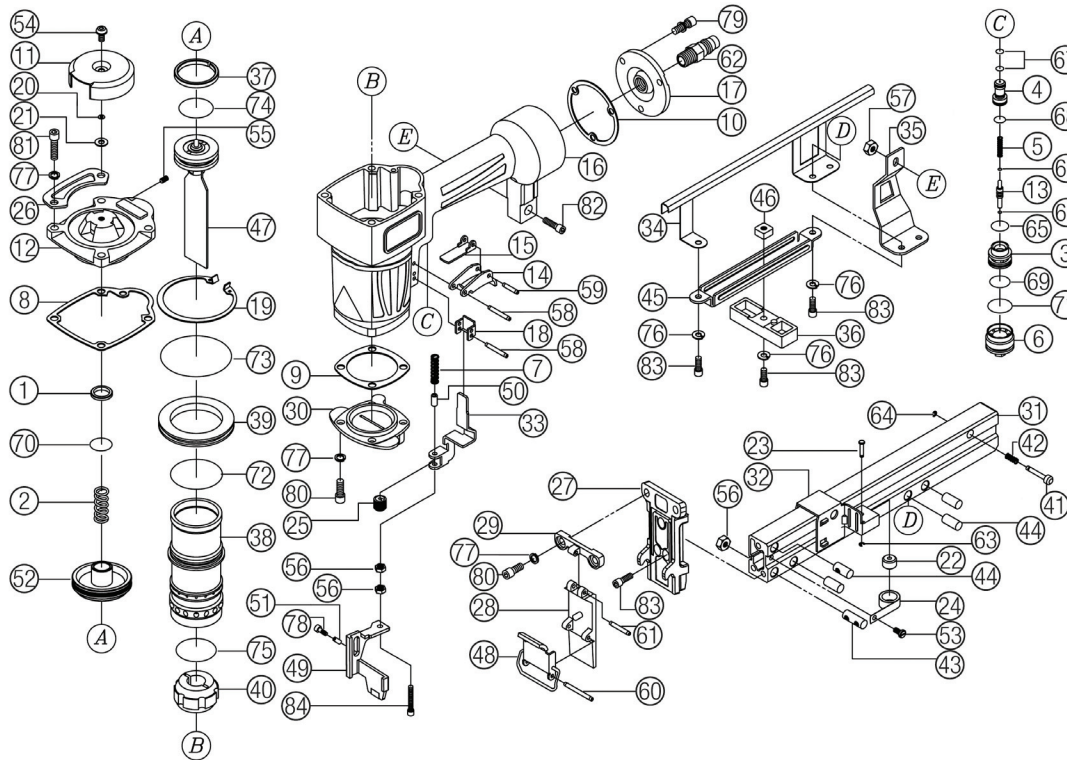


G1738V 17 Series WIDE CROWN STAPLER

For replacement parts contact your usual Tacwise supplier.

Exploded view drawing



Item	Description	Item	Description	Item	Description
1	Seal	39	Cylinder Spacer	77	Spring Washer
2	Spring	40	Bumper	78	Hex.Soc.HD.Screw
3	Trigger Valve Head	41	Button	79	Hex.Soc.HD.Screw
4	Trigger Valve	42	Spring	80	Hex.Soc.HD.Screw
5	Spring	43	Plate A	81	Hex.Soc.HD.Screw
6	Trigger Valve Guide	44	Plate B	82	Hex.Soc.HD.Screw
7	Spring	45	Guide	83	Hex.Soc.HD.Screw
8	Cap Gasket	46	Plate C	84	Hex.Soc.HD.Screw
9	Bottom Gasket	47	Piston Ram Assembly		
10	Inlet Cap Gasket	48	Nose Cover Latch		
11	Deflector	49	Safety Assembly		
12	Cap	50	Sleeve		
13	Trigger Valve Stem	51	Sleeve		
14	Primary Trigger	52	HD Valve Piston Assembly		
15	Secondary Trigger	53	Hex.Soc.But.HD.Screw		
16	Gun Body	54	Hex.Soc.But.HD.Screw		
17	End Cap	55	Hex.Soc.HD.Set.Screw		
18	Safety Guide	56	Lock Nut		
19	C-Ring	57	Lock Nut		
20	Seal	58	Spring Pin		
21	Seal	59	Spring Pin		
22	Roller Element	60	Spring Pin		
23	Shaft	61	Spring Pin		
24	Roller Spring	62	Air Plug		
25	Wheel Assembly	63	E-Ring		
26	Body Guard	64	E-Ring		
27	Nose	65	O-Ring		
28	Nose Cover A	66	O-Ring		
29	Nose Cover B	67	O-Ring		
30	Bottom Cap	68	O-Ring		
31	Magazine	69	O-Ring		
32	Pusher	70	O-Ring		
33	Safety B	71	O-Ring		
34	Plate	72	O-Ring		
35	Latch Bracket	73	O-Ring		
36	Shingle Guide	74	O-Ring		
37	Piston O-Ring	75	O-Ring		
38	Cylinder	76	Spring Washer		