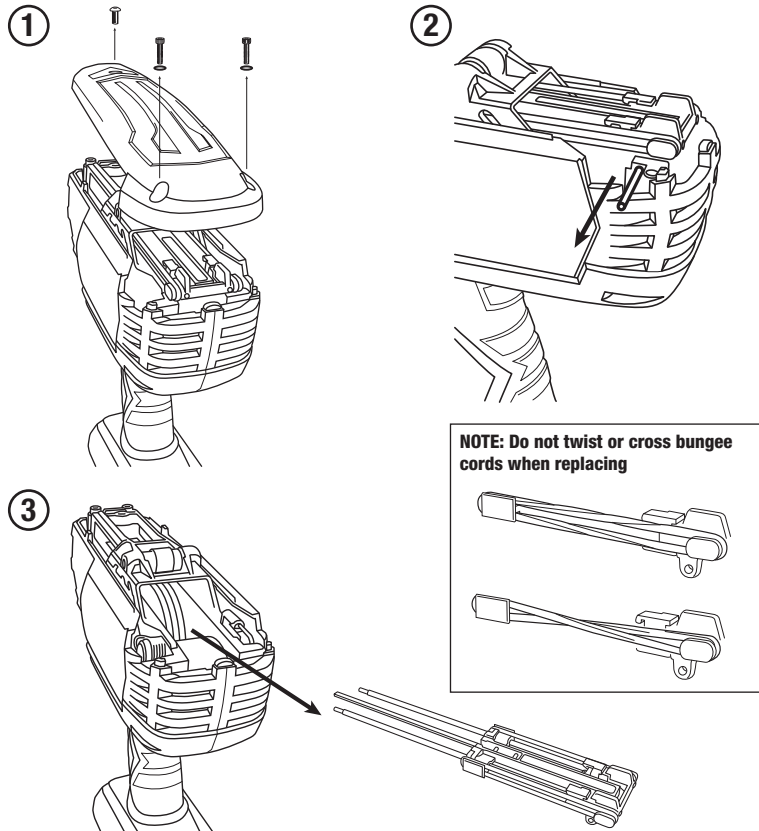


## Ranger 2 CHANGING SERVICE PARTS

For replacement parts contact your usual Tacwise supplier.

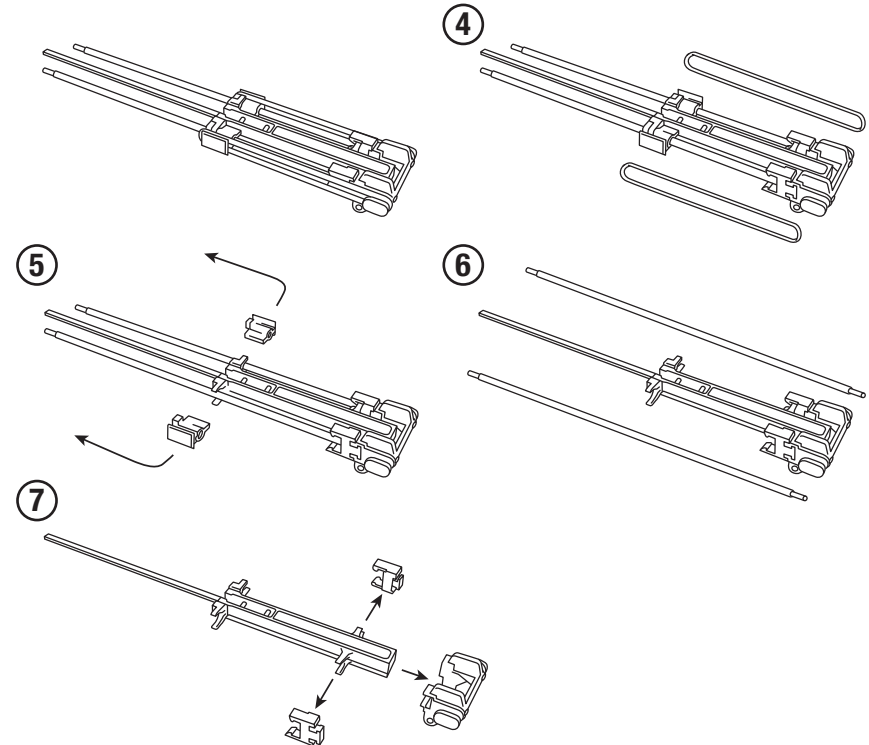
### Removing driver blade assembly/ replacing bungee cords

**WARNING! Lock the actuation system and remove the battery before making any adjustments**



1. Unscrew and lift off the housing cover.
2. Remove the locating pin - pliers may be required to access the pin.
3. Slide out the driver blade assembly.

### Replacing old driver blade with new



Follow steps 1 to 3 opposite, then continue steps below for removing/replacing the driver blade assembly.

4. Remove and discard the bungee cords (if damaged).
5. Unclip and slide off the two plastic retainers holding the steel guiding rods.
6. Pull out the two steel guiding rods.
7. Carefully remove the plastic assembly parts.

Re-fit plastic assembly parts, steel guiding rods and new bungee cords to the new driver blade. Slide back into tool body, replace the locating pin and secure tool housing cover.