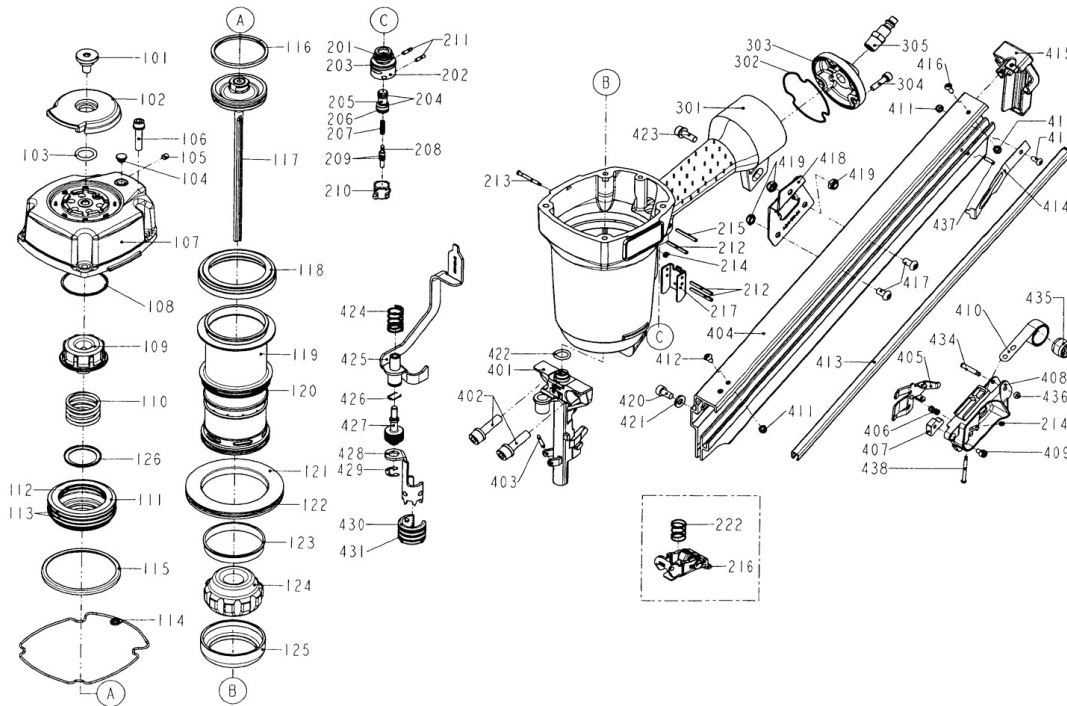


KDH90XHH 90mm 34° ANGLED STRIP NAILER

For replacement parts contact your usual Tacwise supplier.

Exploded view drawing



Item	Description	Item	Description	Item	Description
101	Deflector Pad	213	Trigger Pivot Pin	428	Safety A
102	Deflector	214	Urethane Retainer	429	E-Ring
103	O-Ring	215	Spring Pin	430	Protective Casing
104	Grommet	216	Trigger Unit	431	Fixed Ring
105	Hex. Soc. HD. Screw	217	Safety Guide	434	Roll Pin
106	Bolt Assembly	222	Spring	435	Rolling Element
107	Cap	301	Gun Body Unit	436	Pu Retainer
108	Gasket	302	Gasket	437	Spring Pin
109	Seal	303	End Cap	438	Trigger Pivot Pin
110	Compression Spring	304	Bolt Assembly		
111	HD. Valve Piston	305	Air Plug		
112	O-Ring	401	Nose Piece		
113	O-Ring	402	Bolt Assembly		
114	Cylinder Cap Seal	403	Spring Pin		
115	Press Ring	404	Magazine		
116	Piston Ring	405	Pusher		
117	Driver Unit	406	Spring		
118	Collar	407	Square Units		
119	Cylinder	408	Protecting Hood Cover		
120	O-Ring	409	Hex. Soc. HD. Bolt		
121	Cylinder Spacer	410	Spring		
122	O-Ring	411	Lock Nut		
123	Cylinder Ring	412	Half Round HD. Hex. Bolt		
124	Bumper	413	Steel Channel		
125	Washer	414	Stop Nail Plate		
126	Washer	415	Protecting Hood Cover		
201	O-Ring	416	Half Round HD. Hex. Bolt		
202	Plunger Cap	417	Half Round HD. Hex. Bolt		
203	O-Ring	418	Bracket		
204	O-Ring	419	Lock Nut		
205	Valve Plunger	420	Hex. Soc. HD. Bolt		
206	O-Ring	421	Flat Washer		
207	Spring	422	O-Ring		
208	Plunger	423	Bolt Assembly		
209	O-Ring	424	Safety Spring		
210	Trigger Valve Head	425	Safety B Unit		
211	Spring Pin	426	Ring		
212	Spring Pin	427	Adjust Axie Unit		