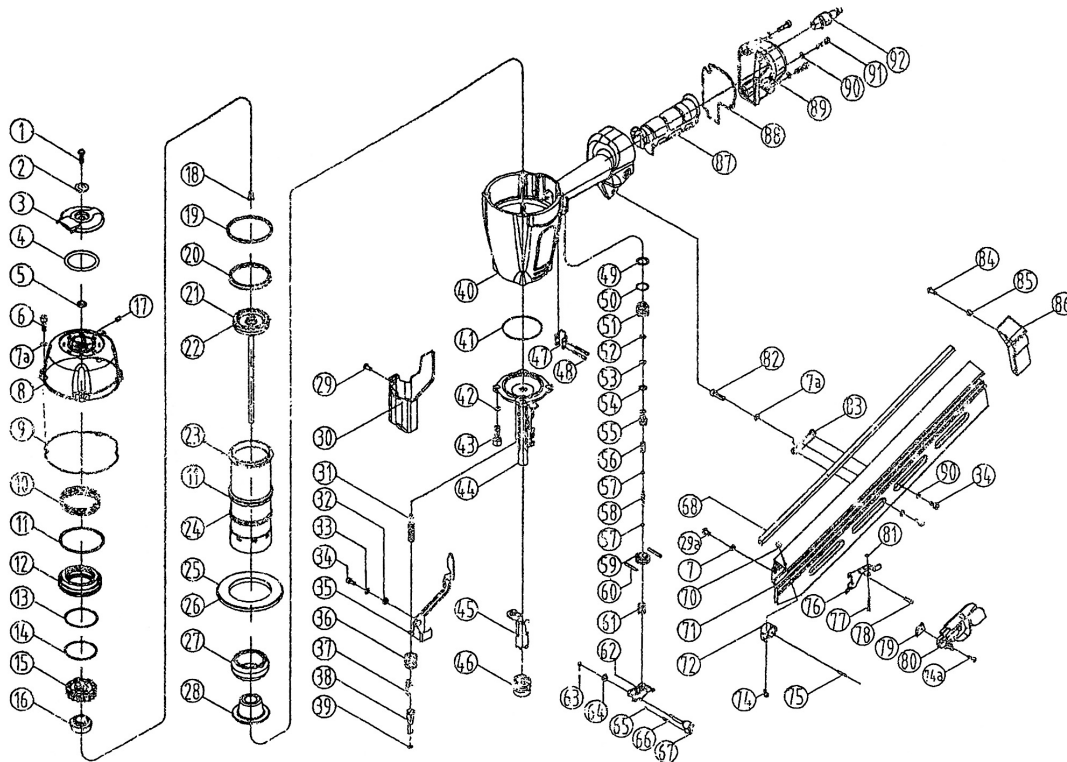


KDH90V 90mm 34° ANGLED STRIP NAILER

For replacement parts contact your usual Tacwise supplier.

Exploded view drawing



Item	Description	Item	Description	Item	Description
1	Screw M6 x 20	37	Spring	76	Feeder Shoe
2	Bushing	38	Adjuster Staff	77	Pin
3	Exhaust Cover	39	Locking Washer	78	Spring
4	Muffler	40	Body	79	Block
5	Seal	41	O-Ring 62.3 x 1.8	80	Feeder Bracket
6	Screw M6 x 30	42	Spring Washer	81	Washer
7	Washer	43	Screw M8 x 25	82	Screw M6 x 20
7a	Spring Washer	44	Nose	83	Support
8	Cylinder Cap	45	Safe Bracket B	84	Screw M5 x 12
9	Gasket	46	Rubber Cover	85	Nut M5
10	Spring	47	Safe Guide	86	Magazine Cap
11	O-Ring 67 x 3	48	Spring Pin 3 x 28	87	Soft Grip Sleeve
12	Valve	49	O-Ring 20.3 x 2.5	88	Gasket
13	O-Ring 48.8 x 2.5	50	O-Ring 20.3 x 1.5	89	End Cap
14	O-Ring 52.4 x 2.5	51	Valve Set	90	Washer
15	Valve Seat	52	O-Ring 9.5 x 1.9	91	Screw M5 x 20
16	Stopper	53	O-Ring 10.3 x 1.9	92	Air Plug
17	Screw M6 x 8	54	O-Ring 12.8 x 1.9		
18	Screw M6 x 12	55	Trigger Valve Head		
19	Collar	56	Spring		
20	Cylinder Seal	57	O-Ring 5.5 x 1.5		
21	O-Ring 58 x 4.5	58	Trigger Valve Stem		
22	Piston Assembly	59	Trigger Valve Guide		
23	Cylinder	60	Spring Pin 3 x 26		
24	O-Ring 65.4 x 2.5	61	Spring		
25	Restrictive Plate	62	Trigger Assembly		
26	O-Ring 101.91 x 3.53	63	Locking Washer		
27	Bumper A	64	Rotating Shaft Bushing		
28	Bumper B	65	Steel Ball		
29	Screw M5 x 10	66	Spring		
29a	Screw M6 x 10	67	Rotating Shaft Pin		
30	Protector	68	Rail		
31	Spring	70	Nut M4		
32	Bushing	71	Magazine		
33	Spring Washer	72	Coil Spring Assembly		
34	Screw M5 x 10	74	Screw M4 x 8		
35	Safe Bracket A	74a	Screw M4 x 10		
36	Adjuster	75	Pin		