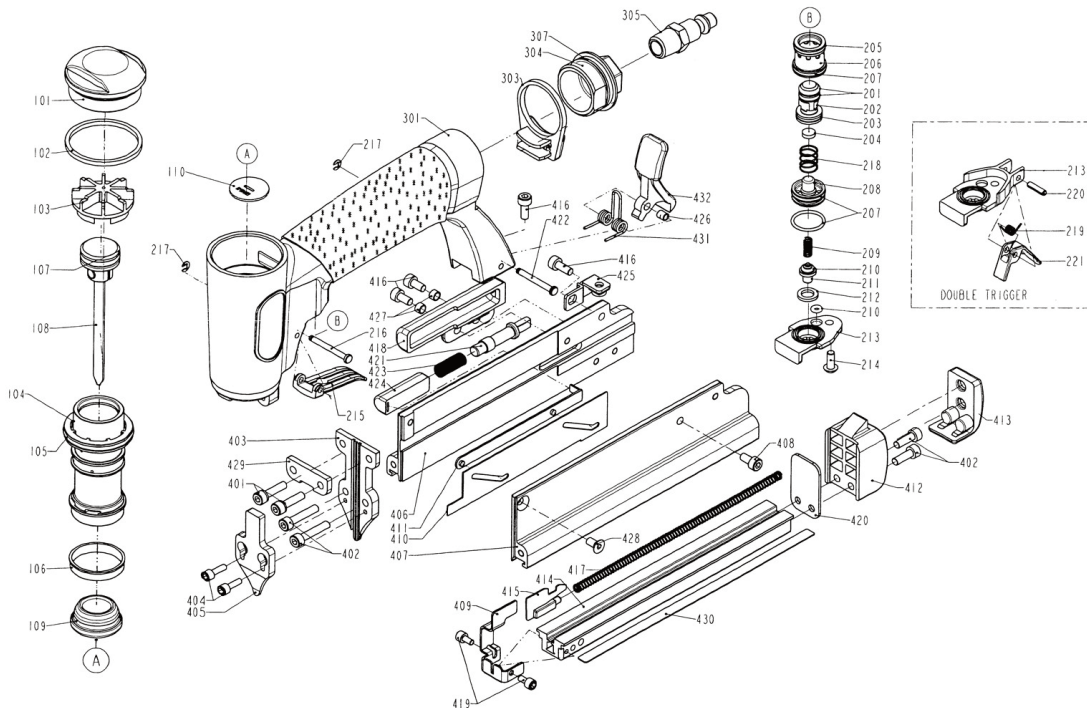


A6425KHH 25mm HEADLESS PINNER

For replacement parts contact your usual Tacwise supplier.

Exploded view drawing



Item	Description	Item	Description
101	Deflector	403	Driver Guide
102	Packing	404	Hex. Soc. HD. Bolt
103	Seal	405	Driver Guide Cover
104	Cylinder	406	Magazine A
105	O-Ring	407	Magazine B
106	Cylinder Ring	408	Hex. Soc. HD. Bolt
107	O-Ring	409	Stopper
108	Driver Unit	410	Steel Channel
109	Bumper	411	Adjusting Lever
110	Driver Guide	412	Protecting Hood Cover A
201	O-Ring	413	Protecting Hood Cover B
202	Valve Plunger	414	Magazine A
203	O-Ring	415	Pusher Unit
204	Cushion	416	Hex. Soc. HD. Bolt
205	O-Ring	417	Pusher Spring
206	Trigger Valve Head	418	Pull Spring
207	O-Ring	419	Hex. Soc. HD. Bolt
208	Plunger Cap	420	Rear Plate
209	Spring	421	Fixed Pin
210	O-Ring	422	Latch Pin
211	Plunger	423	Spring
212	Collar	424	Safety Cover
213	Plunger Cap	425	Bracket
214	Half Round HD. Hex. Bolt	426	Latch Spring Bushing A
215	Trigger	427	Latch Spring Bushing B
216	Trigger Pivot Pin	428	Counter Sunk Screw
217	E-Ring	429	Gasket
218	Spring	430	Flat Bar
219	Spring	431	Spring
220	Spring Pin	432	Spring
221	Safety Stopper		
301	Gun Body Unit		
303	Guide Plate		
304	End Cap		
305	Air Plug		
307	O-Ring		
401	Bolt Assembly		
402	Hex. Soc. HD. Bolt		