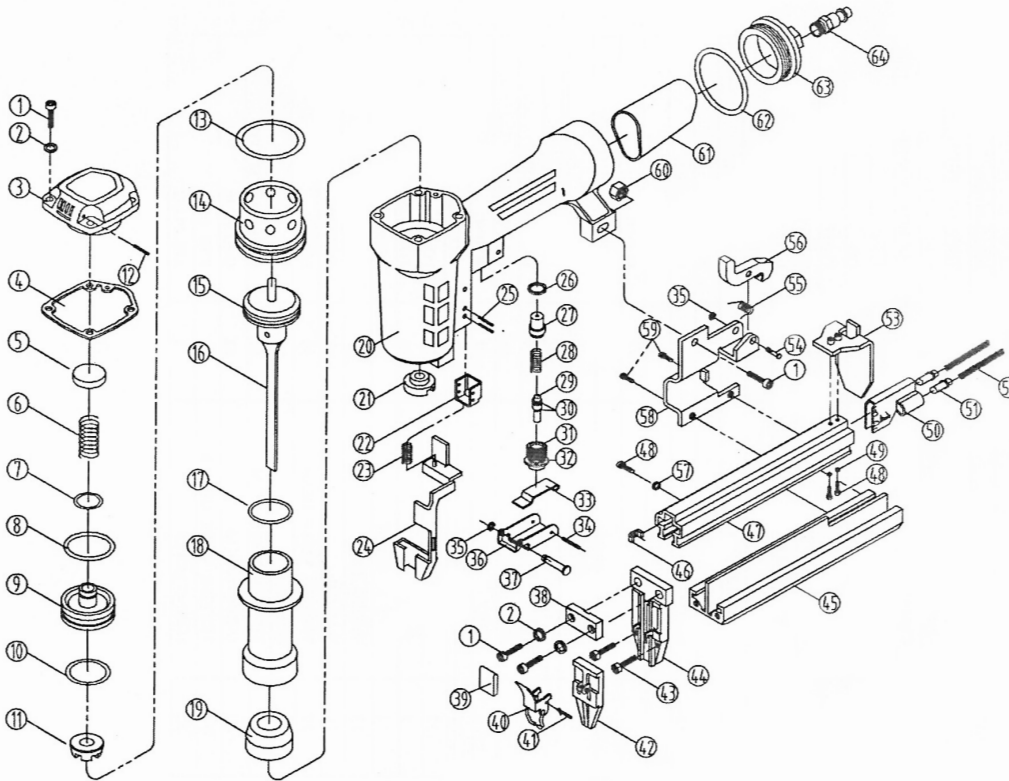


C9725V 25mm NARROW CROWN STAPLER

For replacement parts contact your usual Tacwise supplier.

Exploded view drawing



Item	Description	Item	Description
1	Screw	39	Sleeve
2	Spring Washer	40	Latch Assembly
3	Cylinder Cap	41	Spring Pin
4	Gasket	42	Front Plate
5	Seal	43	Screw
6	Spring	44	Driver Guide
7	O-Ring 15.7 x 2	45	Fixed Magazine
8	O-Ring 36.3 x 2.5	46	Block
9	Valve	47	Movable Magazine
10	O-Ring 33.5 x 3.5	48	Screw
11	Stopper	49	Washer
12	Spring Pin	50	Feeder Shoe
13	O-Ring 48.5 x 2.5	51	Feeder Seat
14	Collar	52	Spring
15	O-Ring 28.3 x 3	53	Stopped Plate
16	Piston Assembly	54	Pin
17	O-Ring 27.3 x 2	55	Torsion Spring
18	Cylinder	56	Lock
19	Bumper	57	Spring Washer
20	Body	58	Support
21	Joint Guide	59	Screw
22	Safety Guide	60	Nut
23	Spring	61	Soft Grip Sleeve
24	Safety Bracket	62	O-Ring 40.2 x 2.3
25	Spring Pin	63	End Cap
26	Washer	64	Air Plug
27	Trigger Valve Head		
28	Spring		
29	Trigger Valve Stem		
30	O-Ring 5.5 x 1.5		
31	Trigger Valve Guide		
32	O-Ring 15 x 1.9		
33	Trigger Spring		
34	Spring Pin		
35	Locking Washer		
36	Trigger		
37	Pin		
38	Plate		