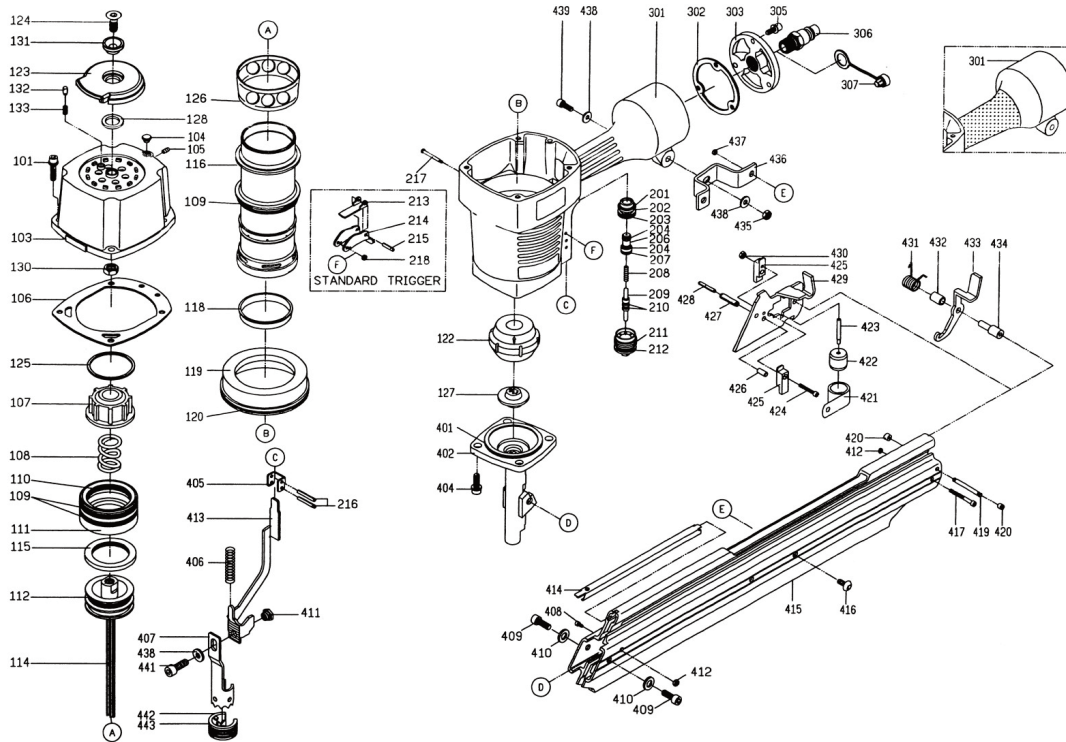


## JDH90FHH 90mm 34° ANGLED STRIP NAILER

For replacement parts contact your usual Tacwise supplier.

### Exploded view drawing



Item	Description	Item	Description	Item	Description
101	Bolt Assembly	212	O-Ring	428	Spring Pin
103	Cap	213	Secondary Trigger	429	Pusher
104	Grommet	214	Trigger	430	Lock Nut
105	Hex. Soc. HD. Screw	215	Spring Pin	431	Latch Spring
106	Cylinder Cap Seal	216	Spring Pin	432	Latch Spring Bushing
107	Seal	217	Trigger Pivot Pin	433	Latch
108	Compression Spring	218	Urethane Retainer	434	Magazine Spacer
109	O-Ring	301	Gun Body Unit	435	Lock Nut
110	O-Ring	302	Gasket	436	Bracket
111	HD. Valve Piston	303	End Cap	437	Lock Nut
112	O-Ring	305	Bolt Assembly	438	Flat Washer
114	Driver Unit	306	Air Plug	439	Hex. Soc. HD. Bolt
115	Collar	307	Dust Cover	441	Hex. Soc. HD. Bolt
116	Cylinder	401	O-Ring	442	Protective Casing
118	Cylinder Ring	402	Nose Piece	443	Fixed Ring
119	Cylinder Spacer	404	Bolt Assembly		
120	O-Ring	405	Safety Guide		
122	Bumper	406	Safety Spring		
123	Deflector	407	Safety A		
124	Counter Sunk Screw	408	Hex. Soc. HD. Bolt		
125	Gasket	409	Hex. Soc. HD. Bolt		
126	Press Ring	410	Flat Washer		
127	Driver Guide	411	Screw Fixing Seat		
128	Rubber Pad	412	Lock Nut		
130	Lock Nut	413	Safety B		
131	Deflector Pad	414	Steel Channel		
132	Positioning Axit	415	Magazine A		
133	Positioning Spring	416	Half Round HD. Hex. Bolt		
201	O-Ring	417	Hex. Soc. HD. Bolt		
202	Trigger Valve Head	419	Latch Pin		
203	O-Ring	420	Shaft Ring		
204	O-Ring	421	Spring		
206	Valve Plunger	422	Rolling Element		
207	O-Ring	423	Roll Pin		
208	Spring	424	Hex. Soc. HD. Bolt		
209	Plunger	425	Pusher Bearing		
210	O-Ring	426	Pin		
211	Plunger Cap	427	Spring Pin		