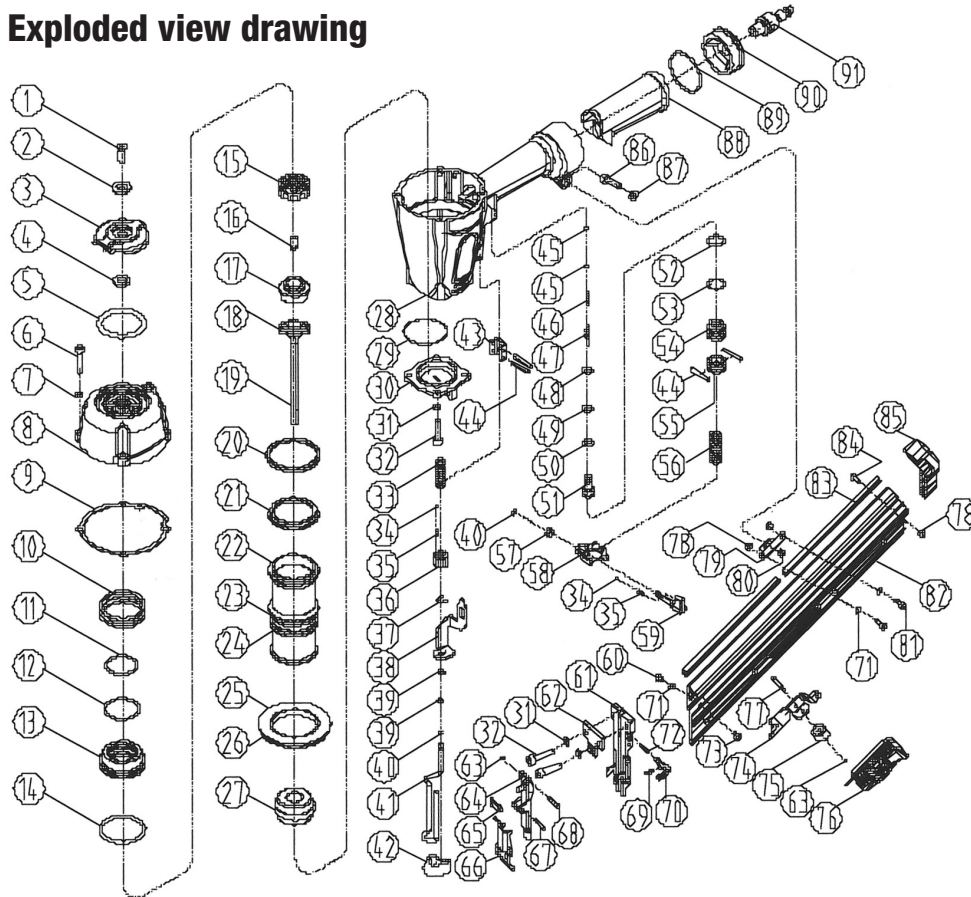


GDA64V 64mm ANGLED FINISH NAILER

For replacement parts contact your usual Tacwise supplier.

Exploded view drawing



Item	Description	Item	Description	Item	Description
1	Screw	39	Nut	77	Pin
2	Bushing	40	Locking Washer	78	Nut
3	Exhaust Cover	41	Safe Bracket	79	Support
4	Seal	42	Bracket Sleeve	80	Nut
5	Muffler	43	Safe Guide	81	Screw
6	Screw	44	Spring Pin	82	Magazine
7	Washer	45	O-Ring 5.5 x 1.5	83	Rail
8	Cylinder Cap	46	Spring	84	Screw
9	Gasket	47	Trigger Valve Stem	85	Stopper
10	Spring	48	O-Ring 9.5 x 1.9	86	Screw
11	O-Ring 36.3 x 2.5	49	O-Ring 10.3 x 1.9	87	Washer
12	O-Ring 40.2 x 2.3	50	O-Ring 12.8 x 1.9	88	Soft Grip Sleeve
13	Valve	51	Trigger Valve Head	89	O-Ring 48.8 x 2.5
14	O-Ring 51.7 x 3.5	52	O-Ring 20.3 x 2.5	90	End Cap
15	Valve Seat	53	O-Ring 20.3 x 1.5	91	Air Plug
16	Screw	54	Valve Guide		
17	Stopped Washer	55	Trigger Valve Guide		
18	O-Ring 43.3 x 3.5	56	Trigger Spring		
19	Piston Assembly	57	Rotating Shaft Bushing		
20	Collar	58	Trigger Assembly		
21	Cylinder Seal	59	Rotating Shaft Pin		
22	Cylinder	60	Screw		
23	O-Ring 52.4 x 2.5	61	Driver Guide		
24	O-Ring 51.5 x 3	62	Plate		
25	Restrictive Plate	63	Washer		
26	O-Ring 76.36 x 2.62	64	Front Plate		
27	Bumper	65	Latch Sleeve		
28	Body	66	Latch Assembly		
29	O-Ring 46 x 1.3	67	Spring Pin		
30	Base	68	Pin		
31	Screw	69	Spring		
32	Spring Washer	70	Restrictive Lever		
33	Spring	71	Washer		
34	Steel Ball	72	Spring Pin		
35	Spring	73	Screw		
36	Adjuster Knob	74	Feeder Shoe		
37	Locking Washer	75	Coil Spring		
38	Bracket	76	Spring Seat		