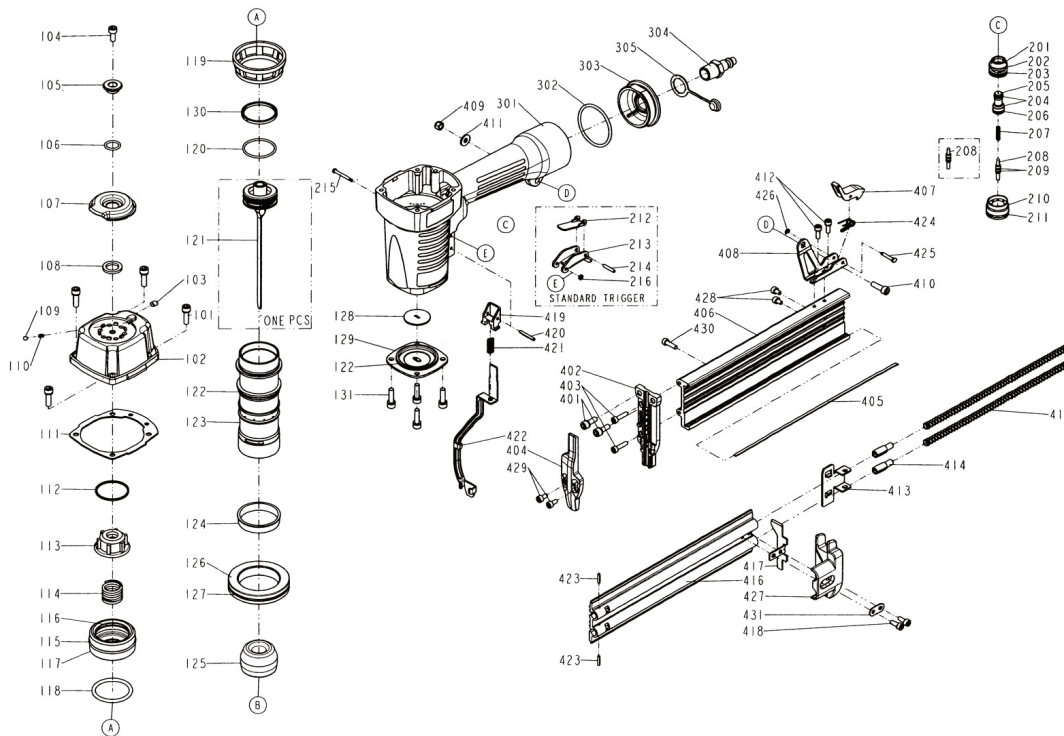


## FCT50LHH 50mm TIMBER TO MASONRY FINISH NAILER

For replacement parts contact your usual Tacwise supplier.

### Exploded view drawing



Item	Description	Item	Description	Item	Description
101	Bolt Assembly	208	Plunger	426	E-Ring
102	Cap	209	O-Ring	427	Protecting Hood Cover
103	Hex. Soc. HD. Screw	210	Plunger Cap	428	Hex. Soc. HD. Bolt
104	Hex. Soc. HD. Bolt	211	O-Ring	429	Bolt Assembly
105	Washer	212	Secondary Trigger	430	Hex. Soc. HD. Bolt
106	O-Ring	213	Trigger	431	Gasket
107	Deflector	214	Spring Pin	432	Protective Casing
108	Rubber Pad	215	Trigger Pivot Pin		
109	Ball	216	Urethane Retainer		
110	Positioning Spring	301	Gun Body Unit		
111	Cylinder Cap Seal	302	O-Ring		
112	Seal Gasket	303	End Cap		
113	Seal	304	Air Plug		
114	Compression Spring	401	Bolt Assembly		
115	O-Ring	402	Driver Guide		
116	O-Ring	403	Hex. Soc. HD. Bolt		
117	HD. Valve Piston	404	Driver Guide Cover		
118	O-Ring	405	Flat Bar		
119	Cylinder Press Ring	406	Magazine A		
120	O-Ring	407	Latch		
121	Driver Unit	408	Bracket		
122	O-Ring	409	Lock Nut		
123	Cylinder	410	Hex. Soc. HD. Bolt		
124	Cylinder Ring	411	Flat Washer		
125	Bumper	412	Bolt Assembly		
126	Cylinder Spacer	413	Pusher		
127	O-Ring	414	Shaft		
128	Driver Guide	415	Pusher Spring		
129	Base	416	Magazine B		
130	Piston Ring	417	Rear Plate		
131	Bolt Assembly	418	Hex. Soc. HD. Bolt		
201	O-Ring	419	Safety Guide		
202	Trigger Valve Head	420	Spring Pin		
203	O-Ring	421	Safety Spring		
204	O-Ring	422	Safety		
205	Valve Plunger	423	Spring Pin		
206	O-Ring	424	Spring		
207	Spring	425	Latch Pin		