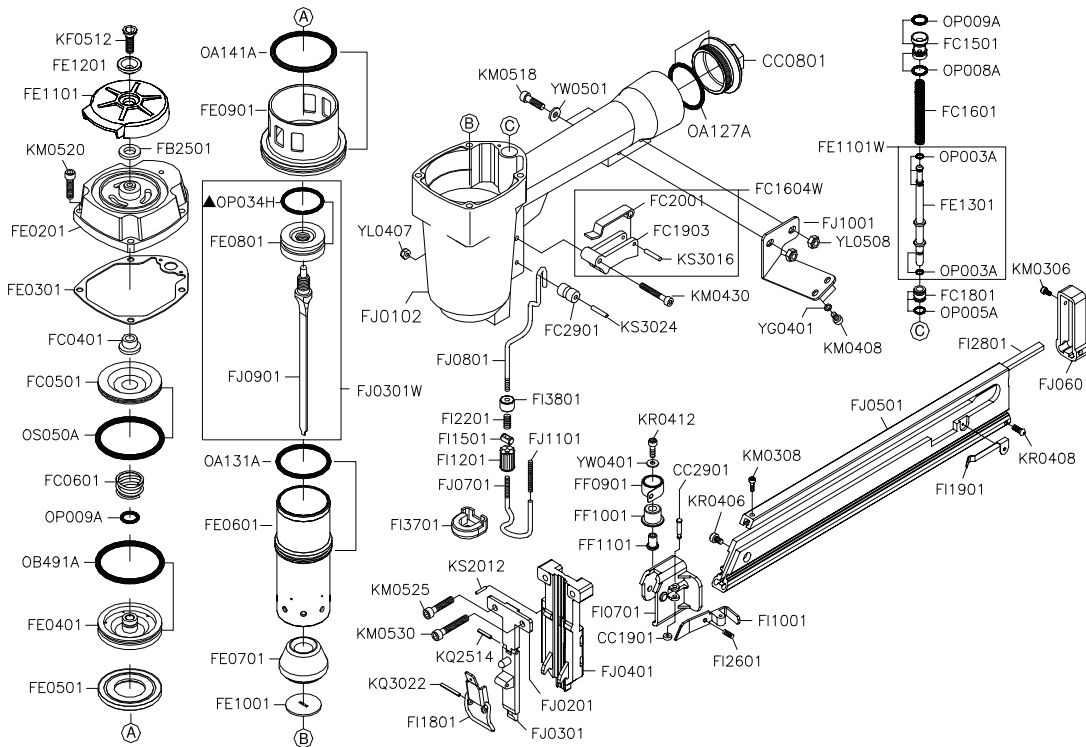


# FBA50VCB 50mm ANGLED FINISH NAILER

For replacement parts contact your usual Tacwise supplier.

## Exploded view drawing



Item	Description	Item	Description	Item	Description
CC081	End Cap	FI2801	Nail Guide	OP008A	O-Ring
CC1901	Bushing	FI3701	Safety Cushion	OP009A	O-Ring
CC2901	Pin	FI3801	Shaft	OP034H	O-Ring
FB2501	Piston Stop	FJ0102	Body	OS050A	O-Ring
FC0401	Piston Stop	FJ0201	Adjustable Plate A	YG0401	Spring Washer
FC0501	Head Valve Cap	FJ0301	Adjustable Plate B	YL0407	Lock Nut
FC0601	Compression Spring	FJ0301W	Driver Assembly	YL0508	Lock Nut
FC1501	Trigger Valve Cap	FJ0401	Guide Plate	YW0401	Flat Washer
FC1601	Compression Spring	FJ0501	Magazine Seat	YW0501	Flat Washer
FC1604W	Trigger Assembly	FJ0601	End Stopper		
FC1801	Trigger Valve Seat	FJ0701	Safety Contact		
FC1903	Trigger	FJ0801	Upper Safety		
FC2001	Contact Lever	FJ0901	Driver		
FC2901	Roller	FJ1001	Support		
FE0201	Cylinder Cap	FJ1101	Compression Spring		
FE0301	Cap Seal	KF0512	Flat HD. Bolt		
FE0401	Head Valve Seat	KM0306	Hex. Soc. HD. Bolt		
FE0501	Gasket	KM0308	Hex. Soc. HD. Bolt		
FE0601	Cylinder	KM0408	Hex. Soc. HD. Bolt		
FE0701	Bumper	KM0430	Hex. Soc.HD. Bolt		
FE0801	Main Piston	KM0518	Hex. Soc.HD. Bolt		
FE0901	Collar	KM0520	Hex. Soc.HD. Bolt		
FE1001	Nozzle	KM0525	Hex. Soc.HD. Bolt		
FE1101	Exhaust Cap	KM0530	Hex. Soc.HD. Bolt		
FE1101W	Trigger Valve Assy.	KM0530	Hex. Soc.HD. Bolt		
FE1201	Exhaust Cap Ring	KQ2514	Spring Pin		
FE1301	Trigger Valve Stem	KQ3022	Spring Pin		
FF0901	Pusher Spring	KR0406	Button HD. Bolt		
FF1001	Roller	KR0408	Button HD. Bolt		
FF1101	Roller Anchor	KR0412	Button HD. Bolt		
FI0701	Seat	KS2012	Spring Pin		
FI1001	Pusher	KS3016	Spring Pin		
FI1201	Adjusting Wheel	KS3024	Spring Pin		
FI1501	Spacer	OA127A	O-Ring		
FI1801	Support Set Assy.	OA131A	O-Ring		
FI1901	Stopper	OA141A	O-Ring		
FI2201	Compression Spring	OB491A	O-Ring		
FI2601	Compression Spring	FE0401	O-Ring		
		FE0501	O-Ring		
		FE0701	O-Ring		
		FE1001	O-Ring		
		FE1101	O-Ring		
		FE1101W	O-Ring		
		FE1201	O-Ring		
		FE1301	O-Ring		
		FF0901	O-Ring		
		FF1001	O-Ring		
		FF1101	O-Ring		
		FI0701	O-Ring		
		FI1001	O-Ring		
		FI1201	O-Ring		
		FI1501	O-Ring		
		FI1801	O-Ring		
		FI1901	O-Ring		
		FI2201	O-Ring		
		FI2601	O-Ring		