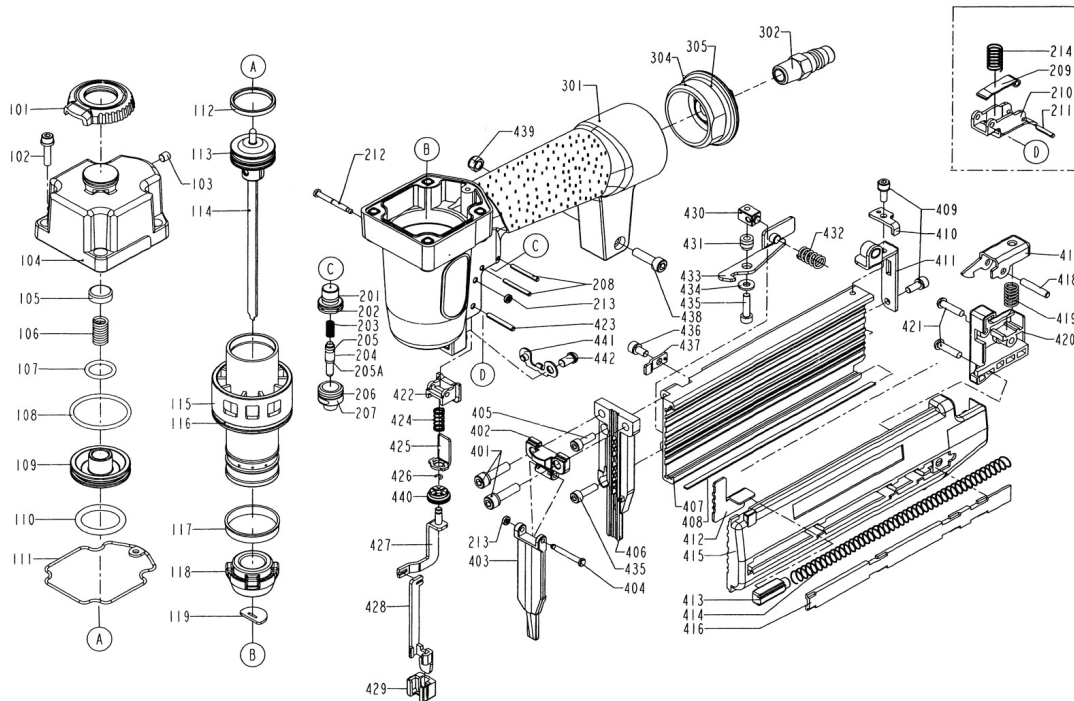


# DGN50PHH 50mm LIGHTWEIGHT BRAD NAILER

For replacement parts contact your usual Tacwise supplier.

## Exploded view drawing



Item	Description	Item	Description	Item	Description
101	Deflector	401	Bolt Assembly	439	Lock Nut
102	Bolt W/Flat Washer	402	Driver Guide Cover B	440	Adjust Axie
103	Hex. Soc. HD. Screw	403	Driver Guide Cover A	441	Stopper
104	Cap Unit	404	Fixed Pin	442	Half Round HD. Hex. Bolt
105	Seal	405	Hex. Soc. HD. Bolt		
106	Compression Spring	406	Driver Guide		
107	O-Ring	407	Magazine A		
108	O-Ring	408	Flat Bar		
109	HD. Valve Piston	409	Bolt Assembly		
110	O-Ring	410	Stopper		
111	Packing	411	Bracket		
112	Piston Ring	412	Pusher		
113	O-Ring	413	Shaft		
114	Driver Unit	414	Pusher Spring		
115	Cylinder	415	Magazine B		
116	O-Ring	416	Spring Cover		
117	Cylinder Ring	417	Latch		
118	Bumper	418	Latch Pin		
119	Driver Guide	419	Lock Spring		
201	O-Ring	420	Protecting Hood Cover		
202	Trigger Valve Head	421	Tap Bolt		
203	Spring	422	Safety Guide		
204	Plunger	423	Spring Pin		
205	O-Ring	424	Safety Spring		
205a	O-Ring	425	Safety		
206	O-Ring	426	Ring		
207	Plunger Cap	427	Safety B		
208	Spring Pin	428	Safety A		
209	Secondary Trigger	429	Protective Casing		
210	Trigger	430	Anchor Block		
211	Spring Pin	431	Magazine Spacer		
212	Trigger Pivot Pin	432	Lock Spring		
213	Urethane Retainer	433	Latch		
214	Spring	434	Flat Washer		
301	Gun Body Unit	435	Hex. Soc. HD. Bolt		
302	Air Plug	436	Hex. Soc. HD. Bolt		
304	End Cap	437	Stopper A		
305	O-Ring	438	Hex. Soc. HD. Bolt		