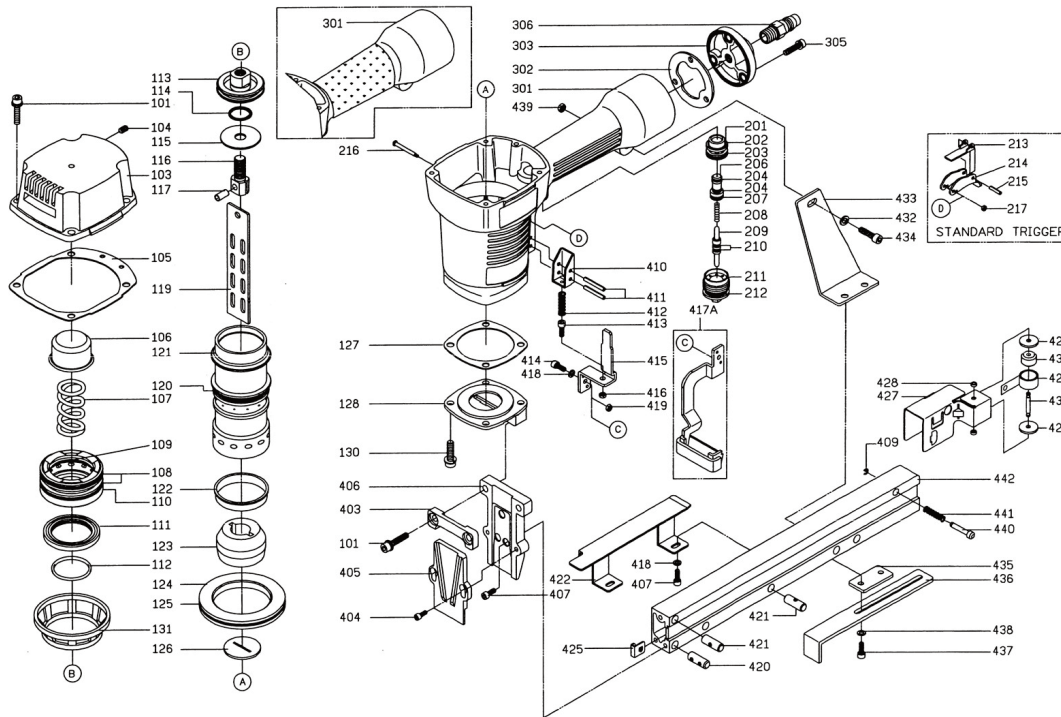


G1738XHH HEAVY DUTY WIDE CROWN STAPLER

For replacement parts contact your usual Tacwise supplier.

Exploded view drawing



Item	Description	Item	Description	Item	Description
101	Bolt Assembly	212	O-Ring	433	Bracket
103	Cap	213	Secondary Trigger	434	Hex. Soc. HD. Bolt
104	Hex. Soc. HD. Screw	214	Trigger	435	Gasket
105	Cylinder Cap Seal	215	Spring Pin	436	Poise Finder Range
106	Seal	216	Trigger Pivot Pin	437	Hex. Soc. HD. Bolt
107	Compression Spring	217	Urethane Retainer	438	Flat Washer
108	O-Ring	301	Gun Body Unit	439	Lock Nut
109	O-Ring	302	Gasket	440	Door Latch
110	HD. Valve Piston	303	End Cap	441	Latch Spring
111	Collar	305	Bolt Assembly	442	E-Ring
112	O-Ring	306	Air Plug		
113	Main Piston	403	Driver Guide Cover B		
114	O-Ring	404	Hex. Soc. HD. Bolt		
115	Lower Washer	405	Driver Guide Cover A		
116	Firing Pin Drawbar	406	Driver Guide		
117	Pin	407	Hex. Soc. HD. Bolt		
119	Driver	409	Magazine A		
120	O-Ring	410	Safety Guide		
121	Cylinder	411	Spring Pin		
122	Cylinder Ring	412	Safety Spring		
123	Bumper	413	Hex. Soc. HD. Bolt		
124	Cylinder Spacer	414	Hex. Soc. HD. Bolt		
125	O-Ring	415	Safety B		
126	Driver Guide	416	Lock Nut		
127	Gasket	417a	Safety A Unit		
128	Base	418	Flat Washer		
130	Bolt Assembly	419	Lock Nut		
131	Cylinder Press Ring	420	Screw Fixing Seat B		
201	O-Ring	421	Screw Fixing Seat A		
202	Trigger Valve Head	422	Staplers Bracket		
203	O-Ring	425	Spring Retainer		
204	O-Ring	426	Spring		
206	Valve Plunger	427	Pusher		
207	O-Ring	428	Shaft Ring		
208	Spring	429	Washer		
209	Plunger	430	Roll Pin		
210	O-Ring	431	Rolling Element		
211	Plunger Cap	432	Flat Washer		