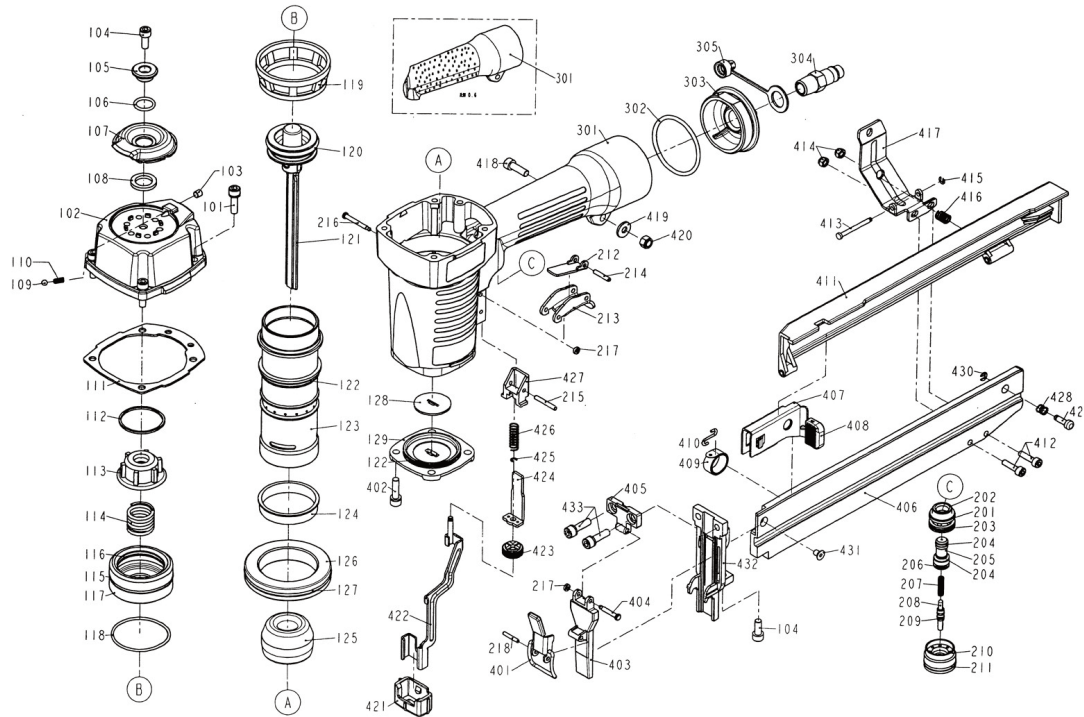


F1440LHH 40mm HEAVY DUTY STAPLER

For replacement parts contact your usual Tacwise supplier.

Exploded view drawing



Item	Description	Item	Description	Item	Description
101	Bolt Assembly	210	Plunger Cap	426	Safety Spring
102	Cap	211	O-Ring	427	Safety Guide
103	Hex. Soc. HD. Screw	212	Secondary Trigger	428	Latch Spring
104	Hex. Soc. HD. Bolt	213	Trigger	429	Door Latch
105	Washer	214	Spring Pin	430	E-Ring
106	O-Ring	215	Spring Pin	431	Counter Sunk Screw
107	Deflector	216	Trigger Pivot Pin	432	Driver Guide
108	Pusher Cushion	217	Urethane Retainer	433	Bolt Assembly
109	Ball	218	Spring Pin		
110	Positioning Spring	301	Gun Body Unit		
111	Cylinder Cap Seal	302	O-Ring		
112	Seal Gasket	303	End Cap		
113	Seal	304	Air Plug		
114	Compression Spring	401	Lock Handle Unit		
115	O-Ring	402	Bolt Assembly		
116	O-Ring	403	Driver Guide Cover A		
117	HD. Valve Piston	404	Fixed Pin		
118	O-Ring	405	Driver Guide Cover B		
119	Cylinder Press Ring	406	Middle Strip		
120	O-Ring	407	Pusher		
121	Driver Unit	408	Rubber Pad		
122	O-Ring	409	Spring		
123	Cylinder	410	Spring Retainer		
124	Cylinder Ring	411	Mounting Bracket		
125	Bumper	412	Hex. Soc. HD. Bolt		
126	Cylinder Spacer	413	Latch Pin		
127	O-Ring	414	Lock Nut		
128	Driver Guide	415	E-Ring		
129	Base	416	Positioning Spring		
130	O-Ring	417	Bracket		
131	Trigger Valve Head	418	Hex. Soc. HD. Bolt		
132	O-Ring	419	Flat Washer		
133	O-Ring	420	Lock Nut		
134	Valve Plunger	421	Protective Casing		
135	O-Ring	422	Safety A Unit		
136	Spring	423	Adjust Axie		
137	Plunger	424	Safety		
138	O-Ring	425	Ring		