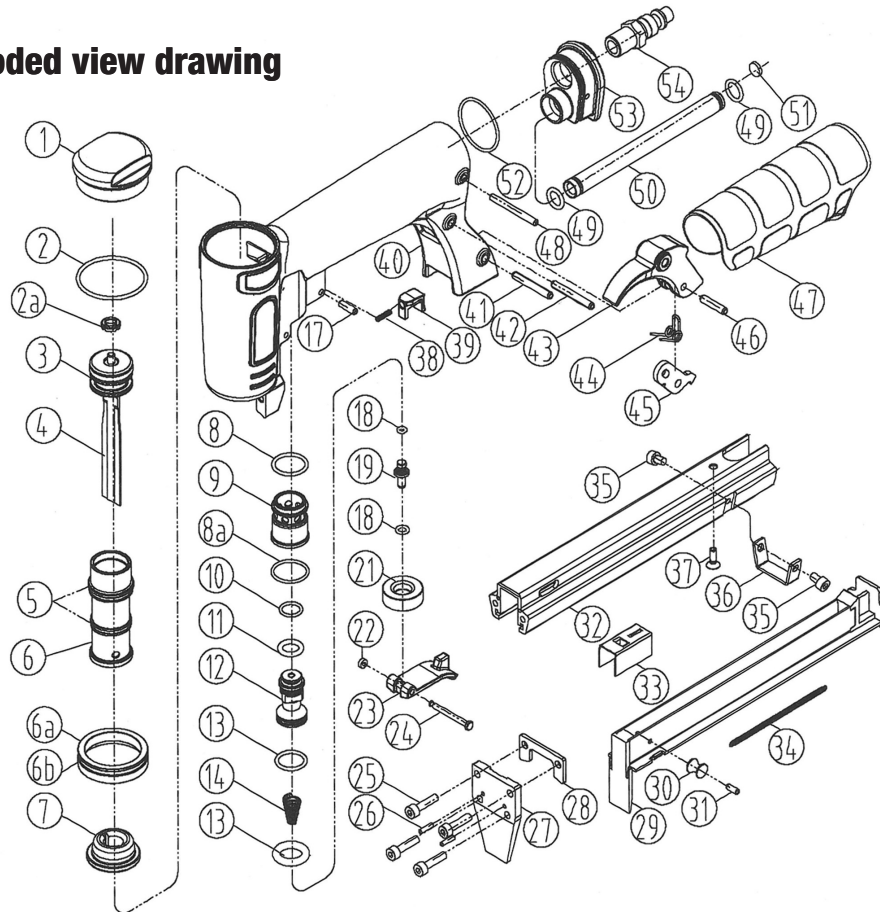


A8016V 80 UPHOLSTERY STAPLER

For replacement parts contact your usual Tacwise supplier.

Exploded view drawing



Item	Description	Item	Description
1	Cylinder Cap	38	Spring
2	O-Ring 38.8 x 1.9	39	Bracket
2a	Stopped Washer	40	Body
3	O-Ring 23.3 x 3	41	Spring Pin
4	Piston Assembly	42	Spring Pin
5	O-Ring 28 x 2	43	Stopped Trigger
6	Cylinder	44	Torsion Spring
6a	Limited Plate	45	Lock
6b	O-Ring 37 x 2.5	46	Spring Pin
7	Bumper	47	Soft Grip Sleeve
8	O-Ring 20.3 x 1.5	48	Spring Pin
8a	O-Ring 21 x 1.3	49	O-Ring 10.3 x 1.9
9	Valve Guider	50	Clamp Screw
10	O-Ring 12.7 x 2.8	51	Muffler
11	O-Ring 14.3 x 1.9	52	O-Ring 30 x 2.5
12	Trigger Valve Head	53	End Cap
13	O-Ring 17.6 x 1.8	54	Air Plug
14	Spring		
17	Spring Pin		
18	O-Ring 5.4 x 1.8		
19	Trigger Valve Stem		
21	Trigger Valve Guider		
22	Washer		
23	Trigger		
24	Trigger Pin		
25	Screw		
26	Spring Pin		
27	Drive Guide		
28	Plate		
29	Movable Magazine Unit		
30	Wheel		
31	Spring Pin		
32	Fixed Magazine Unit		
33	Feeder Shoe		
34	Tension Spring		
35	Screw		
36	Stopper		
37	Screw		