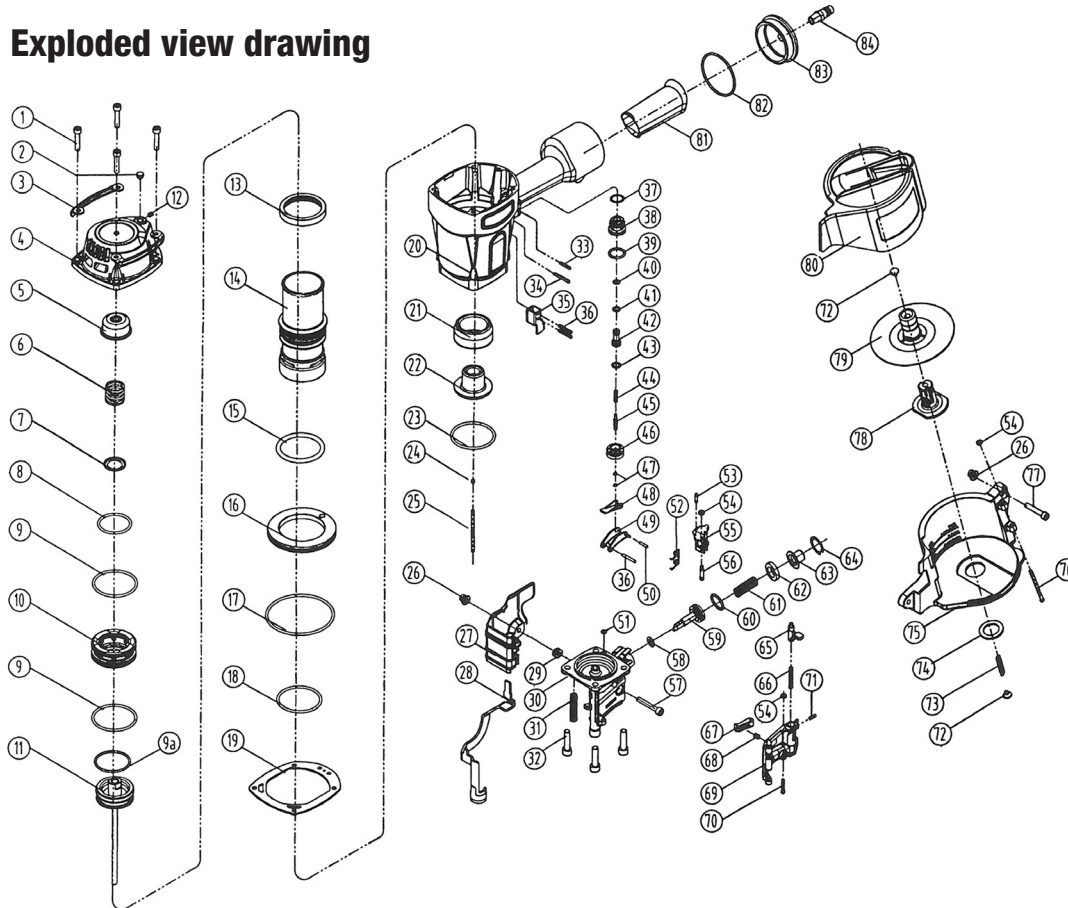


GCN70V 70mm COIL NAILER

For replacement parts contact your usual Tacwise supplier.

Exploded view drawing



Item	Description	Item	Description	Item	Description
1	Screw	38	Valve Guide	76	Stop Pin
2	Grommet	39	O-Ring 22.8 x 2.5	77	Screw
3	Protector	40	O-Ring 9.5 x 1.9	78	Magazine Post
4	Cylinder Cap	41	O-Ring 10.6 x 1.9	79	Adjustment Plate
5	Piston Stop	42	Trigger Valve Head	80	Magazine Cover
6	Spring	43	O-Ring 12.8 x 1.9	81	Soft Grip Sleeve
7	Head Valve Washer	44	Spring	82	O-Ring 65.4 x 2.5
8	O-Ring 47.6 x 3	45	Trigger Valve Stem	83	End Cap
9	O-Ring 62.8 x 3	46	Trigger Valve Guide	84	Air Plug
9a	O-Ring 52.8 x 4.9	47	O-Ring 5.3 x 1.4		
10	Valve	48	Trigger Spring		
11	Piston Assembly	49	Trigger 7.4 x 1.6		
12	Screw	50	Spring Pin 2.5 x 16		
13	Cylinder Seal	51	O-Ring 7.4 x 1.6		
14	Cylinder	52	Torsion Spring		
15	O-Ring 62.7 x 3.1	53	Spring Pin 3 x 16		
16	Cylinder Ring	54	Rubber Washer		
17	O-Ring 90.6 x 3.1	55	Feed Hook		
18	O-Ring 67 x 5.7	56	Pin		
19	Gasket	57	Screw		
20	Body	58	O-Ring 14.6 x 2.4		
21	Bumper A	59	Piston		
22	Bumper B	60	O-Ring 25.6 x 2.4		
23	O-Ring 56.5 x 1.5	61	Spring		
24	Pin Cap	62	Bumper		
25	Straight Pin	63	Cover		
26	Nut	64	Locking Washer		
27	Contact Arm Cover	65	Door Latch		
28	Safety Bracket	66	Spring		
29	Washer	67	Stopped Hook		
30	Nose	68	Spring		
31	Spring	69	Latch		
32	Screw	70	Pin		
33	Spring Pin 3 x 20	71	Spring Pin 3 x 12		
34	Spring Pin 3 x 30	72	Receiver Cover		
35	Safety Guide	73	Tension Spring		
36	Roll Pin 3 x 25	74	Rubber Washer		
37	O-Ring 19.2 x 1.8	75	Lower Nail House		