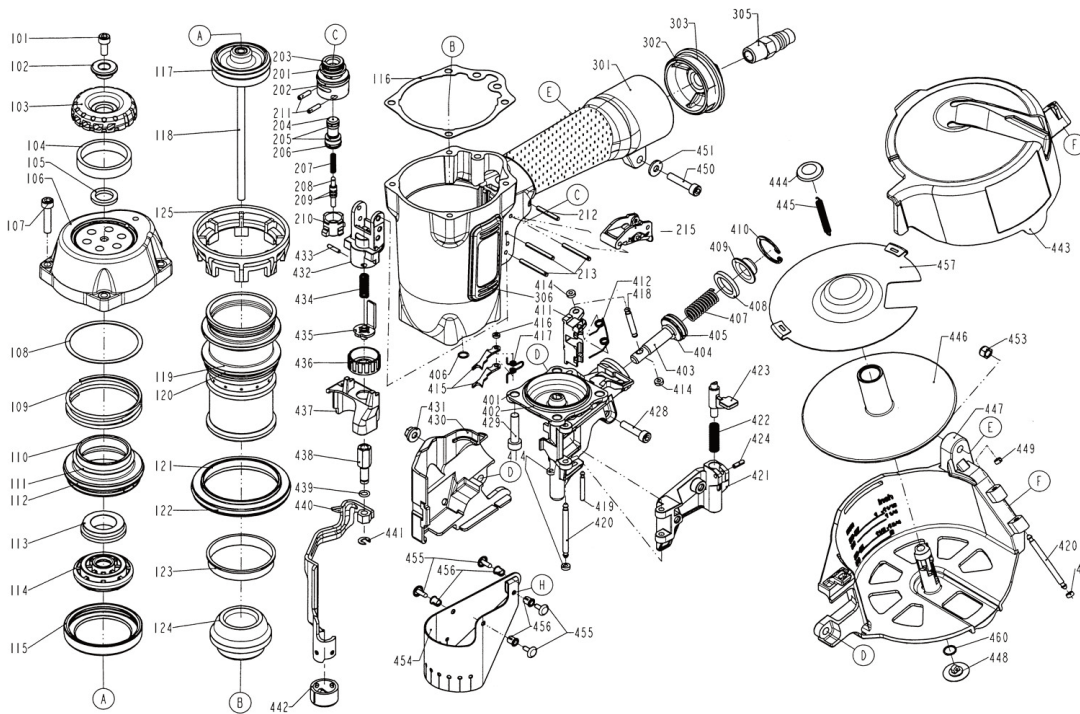


FCN50LHH 50mm COIL NAILER

For replacement parts contact your usual Tacwise supplier.

Exploded view drawing



Item	Description	Item	Description	Item	Description
101	Hex. Soc. HD. Bolt	214	Spring	436	Adjust Axie
102	Washer	215	Trigger Unit	437	Cover Safety
103	Deflector	301	Gun Body Unit	438	Adjust Rod
104	Muffler	302	End Cap	439	O-Ring
105	Rubber Pad	303	O-Ring	440	Safety A Unit
106	Cap	305	Air Plug	441	E-Ring
107	Hex. Soc. HD. Bolt	306	Protective Cushion	442	Protective Casing
108	Washer	401	Nose Piece	443	Magazine Cover
109	Compression Spring	402	O-Ring	444	Spring Base A
110	HD. Valve Piston	403	Feed Piston	445	Pull Spring
111	O-Ring	404	O-Ring	446	Spacer
112	O-Ring	405	O-Ring	447	Magazine Case
113	Seal Gasket	406	O-Ring	448	Spring Base
114	Seal	407	Spring A Compression	449	Shaft Ring
115	Collar	408	Feed Bumper	450	Hex. Soc. HD. Bolt
116	Packing	409	Feed Piston Cap	451	Flat Washer
117	O-Ring	410	C-Ring	453	Lock Nut
118	Driver Unit	411	Feed Finger	454	Muzzle Protector
119	Cylinder	412	Feed Finger Spring	455	Fixed Pin
120	O-Ring	414	Pu Retainer	456	Fixed Ring
121	Cylinder Spacer	415	First Stopper Finger	457	Fix-Plate
122	O-Ring	416	Urethane Retainer	460	O-Ring
123	Cylinder Ring	417	Spring		
124	Bumper	418	Pin Feed Piston		
125	Cylinder Press Ring	419	Pin Nail Stop		
201	O-Ring	420	Door Shaft Pin		
202	O-Ring	421	Door		
203	Plunger Cap	422	Latch Spring		
204	Valve Plunger	423	Door Latch		
205	O-Ring	424	Spring Pin		
206	O-Ring	428	Hex. Soc. HD. Bolt		
207	Spring	429	Hex. Soc. HD. Bolt		
208	Plunger	430	Safety Cover		
209	O-Ring	431	Bolt Cap		
210	Trigger Valve Head	432	Safety Guide		
211	Spring Pin	433	Spring Pin		
212	Muzzle Pin	434	Safety Spring		
213	Spring Pin	435	Safety B		