

EN A11 Eco Hammer Tacker

Operating Instructions

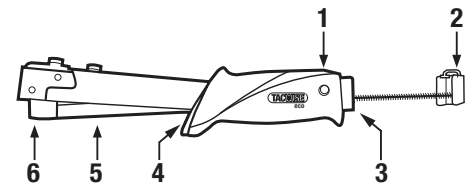
For models: 0322, 1179, 1185, 1778, 1783



IMPORTANT: Please make sure that the person using this tacker carefully reads and understands these instructions before use.

Features:

1. Pin
2. Magazine pusher
3. Magazine channel
4. Personalisation window
5. Magazine
6. Staple mouth

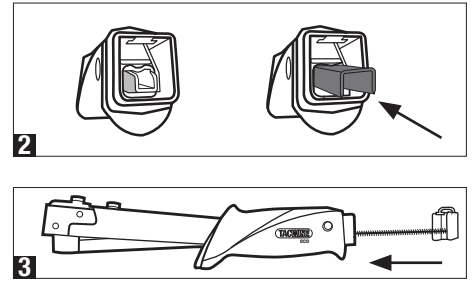
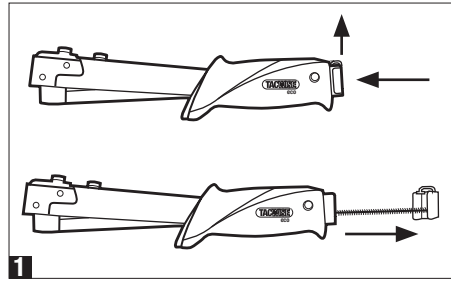


Loading the tool with staples

NOTE: Do not load fasteners of different lengths together.
NOTE: Ensure the magazine is facing away from you and others.

1. Push the magazine pusher end in and up, then pull the magazine pusher out fully.
2. Insert the staple strip along the magazine channel inside the handle, sitting the staples on top of the rail with legs facing down.
3. Push the magazine pusher back in and down over the metal latch in the handle. Ensure the pusher is firmly latched back into position securely.

NOTE: We strongly recommend that you only use approved/genuine Tacwise staples, for reliable stapling.



Operating the tool

1. Hold the hammer in your hand with a firm grip, as you would a conventional hammer.
2. Select the area to be stapled and bring the hammer down in a striking motion.
3. Repeat the procedure for additional stapling.

Unloading the tool

1. Remove the magazine pusher (see previous section).
2. Tilt the tool with the handle end down to remove any unused staples in the channel.
3. Re-insert the magazine pusher (see previous section).

Personalisation window

1. Remove the plastic cover.
2. Write your initials or name on the card insert before replacing the plastic cover.

Removing jammed staples

NOTE: You must remove any jammed staples before using the tool any further as you could cause damage to the mechanism.

- NOTE:** Ensure the magazine is facing away from you and others.
1. Press the magazine pusher end in and up, then remove the magazine pusher.

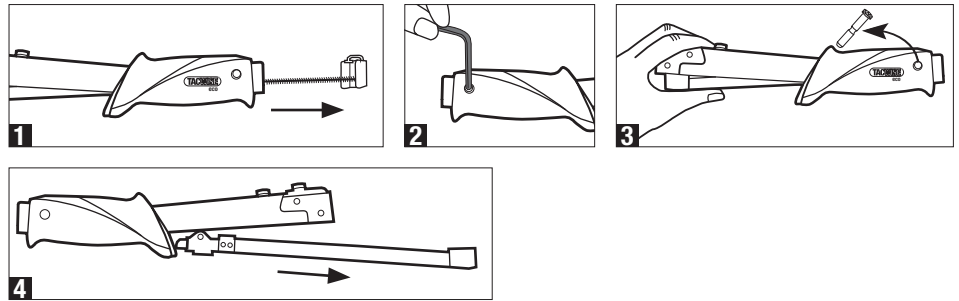
2. Tilt the tool to remove any unused staples in the channel (you can use pliers for ease), this should clear the jammed staple(s). If not, then remove the magazine as per the instructions below.

3. Do not insert the damaged staple(s) back into the magazine.
4. Always carefully test the tool function before fully proceeding with any work.

Removing the magazine

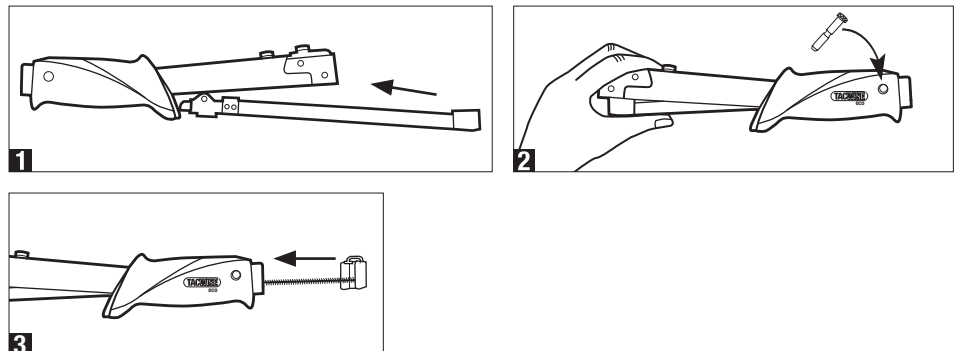
NOTE: Ensure the staple mouth is facing away from you to reduce the risk of personal injury.

1. Remove the magazine pusher and remove any loose fastenings.
2. Using a suitable narrow object, push the pin through from the reverse side of the handle.
3. Pull the pin out. **TIP:** To make it easier to remove the pin, gently squeeze the magazine into the metal housing to release the pressure on the pin.
4. Remove the metal magazine from the top end of the tool.



Reassembling the magazine

1. Reposition the metal magazine back into its original place, inserting it from the staple mouth and aligning the holes in the handle.
2. Insert the pin through the hole until it is firmly back in place. Ensure the pin is fully inserted. **TIP:** To make it easier to insert the pin, gently squeeze the magazine into the metal housing to fully align the holes.
3. Re-insert the magazine pusher.



EN A11 Eco Hammer Tacker
Operating Instructions

For models: 0322, 1179, 1185, 1778, 1783



Continued...

Warning/Caution

- The operator and persons in the vicinity of the tool should wear CE or UKCA approved eye protection/goggles.
- Do not go through the motion of firing unless the tool is aligned to the workpiece, as this could pose a risk of injury to others.
- Only use Tacwise staples as others may cause jamming or damage to the tool.
- Store out of reach of children and pets.
- Keep your work area clean and well lit.
- Always watch what you are doing and use common sense.
- Do not wear loose clothing or jewellery that can get caught on the tacker.
- Do not swing the hammer tacker in the direction of others
- Be aware of the materials that you are stapling – watch out for potential hazards
- Do not overreach; keep proper footing and balance at all times
- Do not use this tool to fasten electric cables. This tool is not designed for the installation of electric cabling and may damage electric cables, which could lead to injury by electric shock or fire hazards.

Guarantee

All Tacwise tackers are carefully checked, tested and subject to the stringent controls of Quality Assurance. Tacwise therefore offers the following guarantee. Your warranty claim based on your sales contract with the retailer, including your statutory rights, shall not be affected by this guarantee.

Product advice & technical support

If you have a problem with your Tacwise hammer tacker, email: service@tacwise.com

Troubleshooting

Follow the instructions below if your tool seems not to operate properly. If this does not solve the issue, please contact: service@tacwise.com

Staples jammed in tool	Tool does not fire staples	Tool does not drive the staples fully
<ul style="list-style-type: none"> • Use genuine Tacwise staples as specified for the tool. • Ensure the staple type and length is suitable for the material. • Clear/clean the magazine and staple mouth. 	<ul style="list-style-type: none"> • Load staples into the magazine. • Use genuine Tacwise staples as specified for the tool. • Clear/clean the magazine and staple mouth. • Check the magazine pusher is firmly secured into the end of the tool. 	<ul style="list-style-type: none"> • Choose the appropriate staple length for the material. • It may be necessary to use more force when firing the tool.

One month guarantee

If you are not completely satisfied with the performance of your product or it is faulty or damaged on purchase, then we will exchange the product or issue a full refund within 28 days of purchase. Proof of purchase must be produced with an original receipt and the tacker must be returned complete as purchased to the point of purchase. This does not affect your statutory rights.

Three-year standard warranty

Should your Tacwise hammer tacker become defective due to faulty materials or workmanship within 36 months from the date of purchase, we guarantee to replace, at our discretion, the tool free of charge. This warranty does not cover:

- Tools that have received unauthorised changes or additions.
- Defects caused by accessories, components, spare parts or staples which are not genuine Tacwise brand.
- Component parts that are subject to natural wear and tear caused by use in accordance with our operating instructions.
- Proof of purchase must be produced with an original receipt.