

# OPERATOR'S MANUAL

## Ranger EL-PRO

18V Cordless 2 in 1 Staple/Nail Gun

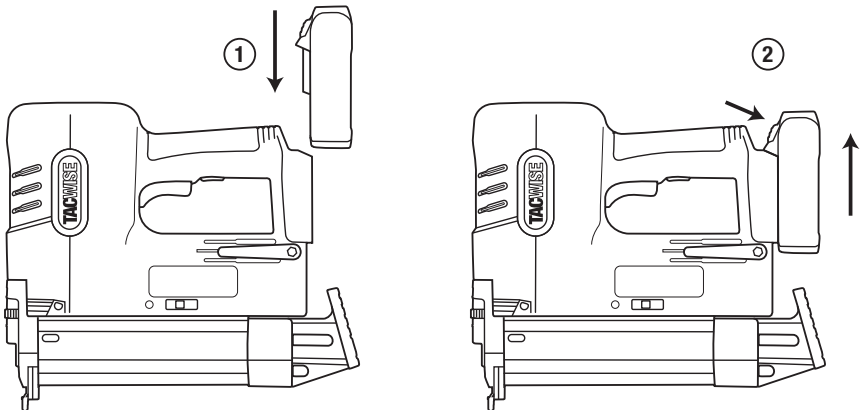


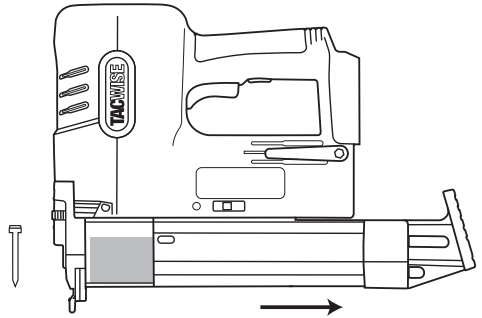
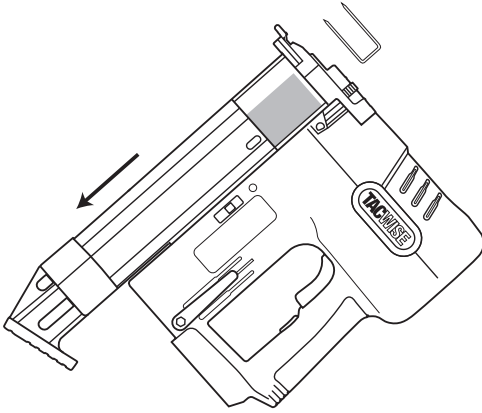
<b>EN</b> OPERATOR'S MANUAL	6
<b>FR</b> MODE D'EMPLOI	12
<b>DE</b> BENUTZER-HANDBUCH	18
<b>ES</b> MANUAL DEL OPERADOR	24
<b>IT</b> MANUALE OPERATIVO	30

FIG. A

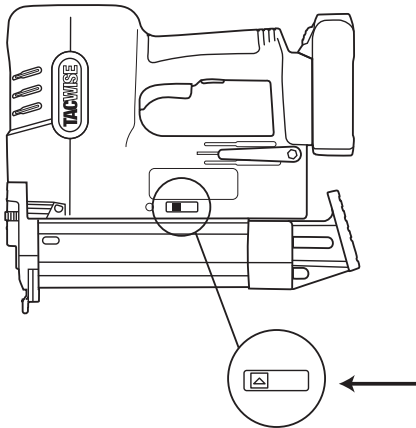


FIG. B - LOADING/REMOVING BATTERY



**FIG. C - LOADING STAPLES/NAILS****FIG. D - SINGLE/CONTACT FIRING MODES**

①



②

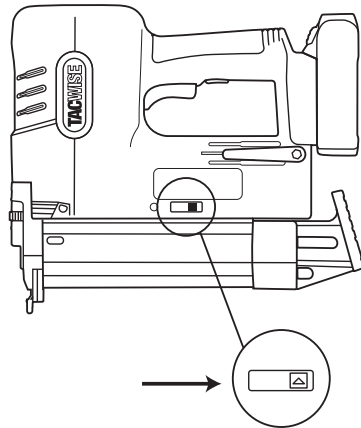


FIG. E - DEPTH CONTROL

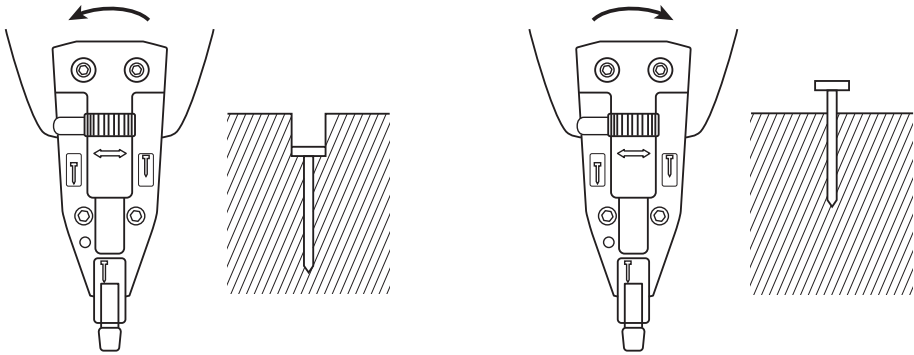
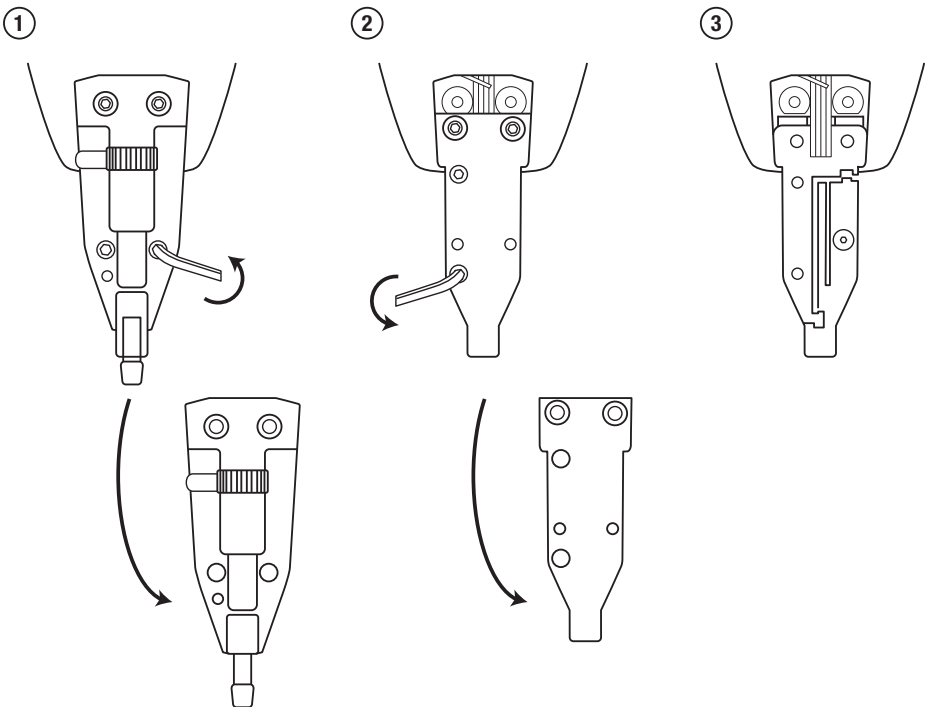


FIG. F - CLEARING JAMS



**EN Ranger EL-PRO**  
**18V Cordless 2 in 1 Staple/Nail Gun**

**Congratulations!**

On the purchase of your Tacwise power tool. Your tool will perform to your satisfaction for a long time if handled in accordance with our Safety and Operating instructions.

**Save this manual for future reference**

**Technical Data**

Tool	18V Staple/Nail Gun
Model type	EL-PRO
Input voltage	18V <sup>DC</sup> 2000mAh
A-weighted sound pressure level	79.9dB (A)
A-weighted sound power level	90.9dB (A)
Vibration emission level*	1.39m/s <sup>2</sup>
Staple type	Tacwise 91 Staples
Staple length	19-40mm
Nail type	Tacwise 180 & 18G Nails
Nail length	12 - 50mm
Max. firing speed	60 staples or nails per minute
Magazine capacity	100 staples/nails
Min. nailing distance from wall	20mm
Continuous operation duration per charge with 2.0Ah battery	400 staples/nails
Weight (with battery)	3.0kgs
<b>Battery</b>	<b>1514</b> Re-order code
Battery type	Li-ion
Voltage	18V
Capacity	2.0Ah
Weight	0.35kg
<b>Charger</b>	
Mains voltage/input V AC	100-240V
Battery type	Li-ion
Charging time	1-1.5 hrs approx.
Weight	0.34kgs
<b>Fuses in Charger</b>	230V tools 13 Amperes

\* The declared vibration emission level represents the main applications of the tool. However if the tool is used for different applications, with different accessories or poorly maintained, the vibration emission may differ. This may significantly increase exposure level over the total working period.

**CE – Declaration of Conformity** **18V Cordless Staple/Nail Gun**

Tacwise declares that this power tool has been designed in compliance with the Regulations and Standards of the European Directives.

Quality Department, Tacwise Group Plc – UK

**WARNING! Before use carefully read and understand all instructions.**

Failure to do so could result in electric shock, fire and/or serious personal injury. The term “power tool” in all of the warnings listed below refers to your battery-operated (cordless) power tool. For any queries relating to safety matters on this power tool, please email [service@tacwise.com](mailto:service@tacwise.com).

**Unpacking**

- Carefully remove the tool and accessories from the box.
- Inspect the tool carefully to make sure no breakage or damage occurred during transit.
- If any parts are damaged or missing, please email [service@tacwise.com](mailto:service@tacwise.com) for assistance. Do not operate this tool until the missing or damaged parts are replaced. Failure to do so could result in a personal injury.
- Whilst every effort has been made to ensure accuracy of information contained within this manual, the Tacwise policy is one of continuous improvement to our products and as such we reserve the right to change the product specification without prior notice.

**General Safety Instructions**

**Important.** Tacwise recommends that this power tool should not be modified or used for any application other than that for which it was designed. Any such alteration or modification is misuse and could result in a hazardous condition leading to a personal injury. If you are unsure of its relative applications do not hesitate to contact us and we will advise you.

**Work Area**

- **Keep your work area clean and well lit.** Cluttered benches and dark areas invite accidents.
- **Keep children and pets away.** All visitors should be kept a safe distance from work area.
- **Avoid dangerous environments.** Do not use power tools in damp or wet locations, or expose them to rain. Provide adequate space surrounding the work area. Do not use in environments with a potentially explosive atmosphere, such as in the presence of flammable liquids, gases or dust; power tools will create sparks which may ignite the dust or fumes.
- **Secure work.** Use clamps or a vice to hold work. This frees both hands to operate the power tool.

**Personal Safety**

- **Stay alert.** Always watch what you are doing and use common sense. Do not operate a power tool when you are tired or under the influence of medication, alcohol or drugs.
- **Wear proper clothing.** Do not wear loose clothing or jewellery that can catch in moving parts. Non-slip footwear is recommended. Contain long hair and roll long sleeves above the elbow.

- **Do not over reach or use on unstable surfaces.** Keep proper footing and balance at all times.
- **Use safety equipment.** Dust mask, non-skid safety shoes, hard hat, or hearing protection must be used for appropriate conditions. Wear CE approved safety goggles at all times. Normal spectacles only have impact resistant lenses; they are NOT safety glasses.

## Electrical Safety

- **Disconnect power to the tool.** When not in use, before servicing or when changing accessories such as staples/nails etc.
- **Do not expose power tools to rain or wet conditions.**
- **Power tool plugs must match the outlet.** Do not use any adaptor plugs with earthed (grounded) power tools. Unmodified plugs and matching outlets will reduce risk of electric shock.
- **Protect yourself from electric shock.** When working with power tools, avoid contact with any earthed or grounded surfaces such as pipes, radiators, hobs and refrigerators.
- **Do not abuse the cord.** Never carry the charger by the power cable or pull it with force from the socket. Keep the power cable away from heat, oil, sharp edges or moving parts. Damaged or entangled cords may create a fire or increase the risk of electric shock.

## Power Tool Use and Care

- **Do not force the power tool.** Use the correct power tool for your application. It will do the job better and safer at the rate for which it was designed.
- **Disconnect the tool from the power source before making any adjustments, changing accessories or storing the power tool.** Such preventive safety measures reduce the risk of starting the power tool accidentally.
- **Do not alter or misuse the power tool.** Use of the power tool for operations different from those intended could result in a hazardous situation.
- **DO NOT fire if the nails are jammed.** This will cause damage to the driver blade and could invite accidents.
- **Keep fingers off the trigger** until ready to drive staple/nail.
- **DO NOT use on hard surfaces** such as rock, concrete, masonry, bricks or steel. Personal injury or damage to the power tool could result.
- **Secure work.** Use clamps or other practical ways to secure and support the work piece to a stable platform. Holding the work by hand or against your body is unstable and may lead to loss of control.
- **Stored power tools.** When not in use, all power tools should be stored in a dry, locked cupboard and out of the reach of children and other untrained persons.
- **Check for damaged parts.** Check for misalignment or bending of moving parts, breakage of parts and any other condition that may affect the power tools operation. If damaged, immediately discontinue use and ensure the power tool is repaired before use. Poorly maintained power tools can result in accidents.
- **Maintain power tools with care.** Keep power tools clean for the best and safest performance. All cables must be checked at regular intervals and replaced if damaged.
- **Recommended accessories.** Use only accessories that are recommended by the manufacturer for your model. Accessories that may be suitable for one tool may create a risk of injury when used on another tool.

- **Keep the power tool and its handle dry, clean and free from oil and grease.** Always use a clean cloth when cleaning. Never use brake fluids, gasoline, petroleum-based products, or any strong solvents to clean your power tool. Following this rule will reduce the risk of loss of control and deterioration of the power tool housing.
- **Beware of hidden danger.** Always make sure there is no danger of hitting any hidden power cables, water or gas pipes.

## Battery Tool Use and Care

- **Only use the battery charger specified by the manufacturer.** Use of the wrong battery pack with the charger may create the risk of a fire.
- **Use battery packs specified for the correct tool only.** Use of the wrong battery pack with the tool may create the risk of injury or fire.
- **Keep away from other metal objects such as keys, coins, nails, screws, paper clips etc., when battery pack is not in use.** Small metal objects like those listed above could make a connection across the terminals, shorting the battery terminals together and may cause a fire.
- **Liquid may leak from the battery under abusive conditions.** **Avoid contact.** If skin should accidentally come into contact with liquid, flush with water. If liquid should come into contact with eyes seek additional medical help. Liquid ejected from damaged battery may cause irritation or burns.

## Specific Safety Instructions

- **Always assume that the tool is loaded with fasteners.** Handling the tool without care could result in an unexpected firing of fasteners and lead to personal injury.
- **Use only the staples/nails specified in the manual.** Use of accessories that are not designed for this tool could result in personal injury and/or damage to the power tool.
- **Do not touch any parts of the power tool magazine or nose during operation.** Hold only by the handle or housing of the tool.
- **Do not activate the power tool unless it is in contact with the work piece.** Serious injury can result if you depress the safety lock pin on nose/contact trip with your fingers, or by improper operation.
- **Fastening thin items.** Special caution must be taken for possible penetration through thin items, as this could cause possible harm to anyone or anything behind the work piece or immediate area.
- **Never use the tool as a hammer.** The sudden impact could shift inner components of the power tool, resulting in a fastener discharge and injury.
- **When fastening has been completed** always disconnect from the power source (battery) prior to unloading the magazine.
- **Do not disassemble or lock any of the fastener driving parts.**
- **Prior to each operation.** Check that the safety and triggering mechanism is functioning properly and that all nuts and bolts are tight.
- **Never point any power tool at yourself or at any other person.** While working, hold the tool in such a way that no injuries can be caused to the head or to the body in the event of possible recoil.
- **Never actuate the power tool into free space or the air.**
- **Do not drive fasteners on top of other fasteners.**
- **Disconnect the tool from the battery if a fastener jams in the tool.** While removing a jammed fastener, the tool may be activated by accident if battery is connected.
- **Take care while removing a jammed fastener.** The mechanism may be under compression and a jammed fastener may be discharged while attempting to free it.

- **Do not use this tool to fasten electric cables.** This tool is not designed for the installation of electric cabling and may damage electric cables which could lead to injury by electric shock or fire hazards.
- **Use appropriate detectors to determine if any utility lines are hidden within the work area or call your local utility company for assistance.** Should electric lines be damaged this could lead to fire and electric shock. Damaged gas lines could lead to explosions. Penetrating a water line can cause property damage.
- **When using the power tool hold it in such a manner that your head and/or body cannot be injured by the tool suddenly kicking back due to a malfunction of the battery or from objects in the work area.**
- **Do not attempt to open the battery pack.** There is a danger of short-circuiting.
- **Protect the battery against heat (continuous intense sunlight), fire, water and moisture.** There is a danger of explosion.
- **A damaged battery or one that is subject to improper use can emit vapours.** Ventilate the area and seek medical help if needed. The vapours can irritate the respiratory system.
- **Only use the battery in conjunction with your Tacwise power tool.** This will protect it against overloading.
- **Use only original Tacwise batteries with the voltage listed on the nameplate of the power tool.** There may be a danger of injury as well as property damage through exploding batteries that are imitations, reconditioned or other brands.
- **The electric motor has been designed for one voltage only.** Always check that the battery pack voltage corresponds to the voltage on the rating plate. Also make sure that the voltage of your charger corresponds to that of your mains.

### Model and Serial No.

The model name of this tool will be found on a label located on the tool's magazine channel and the serial number is located on the body of the tool that houses the battery. Please record the model name and serial number in the space provided below. Please always give the following information when contacting us:

MODEL NAME .....

SERIAL NUMBER .....

### Explanation of Label on Power Tool



Always observe the safety instructions and warnings

### Explanation of Label on Battery Pack



Read instruction manual before use



Do not charge damaged battery packs



Do not incinerate the battery pack



Charge at temperatures between 5°C and 45°C only



Recyclable



Dispose of batteries in accordance with environmental legislation



CE: Conforms with EC directives

### Explanation of Label on Battery Charger



Read instruction manual before use



Use indoors only



Electrical safety; make sure the voltage of your charger corresponds to that of your mains



Danger - electrical item



Dispose of electrical equipment in accordance with environmental legislation



Takes T2A fuse



CE: Conforms with EC directives



GS: Conforms with German Product Safety Act

### Service

Any servicing requires specialist tools and knowledge and should be performed only by a qualified Tacwise Service Engineer or appointed Service Agent. We strongly recommend that the main housing of the tool is not opened, as such action may result in injury and may compromise the tool warranty.

### Usage Advisories

1. Operate the tool in cycles of 15 minutes to avoid the tool and battery from over-heating.
2. It is suggested that you do not exceed firing 200 fasteners in any one continual use.
3. Leave the battery to cool down before charging to achieve optimum performance.



## Features (Fig. A)

Your 18V Cordless 2 in 1 Staple/Nail Gun has been designed for driving fasteners into wooden work pieces.

1. Trigger
2. Battery release button
3. Battery pack
4. LED lighting switch
5. Belt hook
6. Single/contact firing switch
7. Spare nose protector
8. Magazine
9. LED indicator
10. LED lights
11. Safety contact pin with nose protector
12. Depth adjustment wheel

## Battery Charging

Use only the battery charger that comes with the product. Only the battery charger that is matched to the lithium ion battery should be used in your machine.

- Insert the battery pack into the charger, aligning the contacts. Push battery until it clicks into place. Plug the charger into a power socket. The indicator light on the charger will be red (battery is charging).
- When battery is fully charged (approx. 1-1.5hrs) the indicator on the charger will turn green.
- The battery is now ready to use. Remove the charger from the power socket and remove the battery pack from the charger.

**NOTE:** The battery is supplied partially charged. To ensure full capacity of the battery, completely charge the battery in the battery charger before using your power tool for the first time. The lithium ion battery can be charged at any time without reducing its service life. Interrupting the charging procedure does not damage the battery. A battery does not develop its full capacity until after approximately 5 charge/discharge cycles.

The battery is equipped with an NTC temperature control which allows charging only within a temperature range of between 0°C and 40°C. A long battery service life is achieved in this manner. Observe the notes for "battery disposal".

## LED Functions of Battery Charger

- Red LED on = charging/battery low.
- Green LED on = battery fully charged.

## LED Functions of Tool

- Red LED on = battery low.
- Red LED flashing = staples/nails are jammed or charger too hot.
- Green LED on = no staples/nails loaded, power tool in dry fire protection mode.
- Green LED flashing = Power tool in overheat protection mode. Power tool will not fire, leave to cool down before re-firing.

## Loading/Removing the Battery (Fig. B)

To load, slide battery down into battery housing until it clicks. Press battery release button (2) and pull the battery up and out completely, toward the rear.

## Checking the Contact Trip Mechanism

- Remove all nails/staples from the magazine (8).
- Press the safety nose/contact pin and pull the trigger. The safety nose/contact pin and trigger should move freely.
- Reload the nails/staples into the magazine.

- Do not use the power tool if the safety nose/contact pin does not move freely.
- Place the contact pin on the workpiece and press the power tool into the workpiece without pulling the trigger, the power tool should not fire. Lift the power tool from the workpiece and the contact pin should spring back automatically.
- Pull the trigger, the power tool should not fire.

## Loading the Tool with Staples/Nails (Fig. C)

- Remove battery pack from the tool
- Press the release button (2) and pull out the magazine cover.
- Tilt the tool and place the nails/staples into the track of the magazine channel.

**NOTE:** Make sure that the fasteners are placed correctly.

- Nails are placed against the profiled side of the rail with the nail points facing away from the body of the tool.
- Staples are placed against the profiled side of the rail. The crown of the staple should be in the uppermost part of the magazine (staple legs facing away from the body of the tool).
- Push the magazine (8) back into place until the release catch clicks, locking the magazine shut.
- Reattach the battery pack to the tool.

**NOTE:** Do not load fasteners of different lengths together. Do not load staples and nails mixed together.

**NOTE:** We strongly recommend that you only use approved/genuine Tacwice staples and nails.

## Unloading the Tool

- Hold down the release catch on the side of the magazine (8) and slide out.
  - Remove the staple/nail strip in the magazine.
- NOTE:** Use caution when sliding the magazine back to close. Do not use excessive force, otherwise the magazine slider could become damaged and there is danger of your fingers being caught, or pinched.

## Spare Non-Marking Nose/Tip Protector

This tool is supplied with a removable rubber nose protector which prevents the tool from marking the surface of the work piece. This tool is designed to be used both with and without the rubber nose protector according to the application.

The nose protector can be removed and replaced.

- Before removing or replacing the nose protector disconnect from power source and remove fasteners.
- Pull the nose protector from the working contact element.
- To replace, push the new nose protector back over the working contact element.

**NOTE:** A spare nose protector is located at the side/rear of the magazine (8). To order additional nose protectors, please contact your usual supplier and quote code: 1513.

**Important.** Choice of firing method is important, check below for firing options.

## Single Firing Mode (Fig. D 1)

Good for precision placement.

- Hold handle of power tool firmly with magazine at 90° angle to the work piece.
- Push the single/contact firing switch to the left. Single Firing Mode is now activated.
- Press the safety contact pin against the work piece.
- Squeeze the trigger to fire the staple/nail.
- Release the trigger and safety contact pin after firing.

**NOTE:** The safety contact pin must be depressed before the trigger is squeezed.

### Contact Firing Mode (Fig. D 2)

Good for quick and convenient firing.

- Hold handle of power tool firmly with magazine at 90° angle to the work piece.
- Push the single/contact firing switch to the right Contact Firing Mode is now activated.
- Squeeze the trigger, keep squeezing and do not release.
- Press the safety contact pin against the work piece to fire the staple/nail.
- Keep squeezing the trigger, lift power tool from work piece to release the safety contact pin after firing.
- Press the safety contact pin onto the work piece to recommence firing.

**NOTE:** The trigger must be kept squeezed at all times while the safety contact pin is depressed. Do not keep the trigger depressed when the power tool is not in use to prevent accidental firing.

### Adjusting the Depth (Fig. E)

The driving depth of the nails can be set with the depth adjustment wheel (12).

- **Nails are not driven in deep enough:** To increase the driving depth, turn depth adjustment wheel to the left.  
or
- **Nails are driven in too deeply:** To reduce the driving depth, turn the depth adjustment wheel to the right.
- Test the new driving depth on a test workpiece. Repeat steps above as required.

### Clearing Jams (Fig. F)

**NOTE:** You must remove any jammed staples or nails before using the tool any further. If you continue to try and fire a fastener while the tool is jammed, you could cause damage to the mechanism.

- Tilt the tool and remove any unused staples/nails in magazine channel, this should clear the jammed fastener(s).
- If the fastener(s) remain jammed after following the above instructions. Unscrew the 4 hex bolts on the nosepiece plate with the wrench provided and remove the plate. Set the hex bolts to one side.
- Repeat for the second nosepiece plate and remove this too. Set these hex bolts to one side too. **Note:** the hex bolts for the second plate are different sizes to the hex bolts for the top plate, so keep separate.
- With both nose plates removed you will see the jammed fastener(s). Remove using a pair of pliers if necessary.
- Re-assemble the nosepiece plates and re-tighten the hex bolts, do not over tighten.
- Refill the magazine.
- Fire a few test fasteners to ensure tool is working properly.

**NOTE:** If staples or nails become jammed in the nosepiece frequently, have the tool serviced by a Tacwise Engineer or appointed service agent.

### Maintenance

Your Tacwise Power Tool has been designed to operate over a long period of time with a minimum of maintenance. Continuous satisfactory operating depends upon proper tool care and regular cleaning.

If the machine should fail despite the care taken in manufacturing and testing procedures, repair should be carried out by a Tacwise Service Engineer or appointed Service Agent. In all correspondence and spare parts order, please always include the serial number given on this machine.

### Cleaning

- Remove battery before cleaning the housing with a soft cloth.
- Keep the ventilation slots clear and regularly clean.
- Clean the magazine (8). Remove any debris that may accumulate in the magazine during operation.

### Lubrication

This tool requires no lubrication. Do not lubricate the tool, as it will damage the internal parts.

### Product Advice and Technical Support

What to do if you have a problem with your Tacwise power tool? Email [service@tacwise.com](mailto:service@tacwise.com).

### Transport

The contained lithium-ion batteries are subject to the Dangerous Goods Legislation requirements. The user can transport the batteries by road without further requirements.

When being transported by third parties (e.g. air transport or forwarding agency), special requirements on packaging and labelling must be observed. For preparation of the item being shipped, consulting an expert for hazardous material is required. Dispatch batteries only when the housing is undamaged. Tape or mask off open contacts and pack up the battery in such a manner that it cannot move around in the packaging. Please also observe possibly more detailed national regulations.

**Tacwise Recycling Service** - serving the customer and the environment.

### Unwanted Tools

Recycle unwanted materials instead of disposing them as waste. All tools and packaging should be sorted, taken to the local recycling centre and disposed of in an environmentally safe way. Alternatively, please email [service@tacwise.com](mailto:service@tacwise.com) for details on how to dispose of your Tacwise power tool free of charge in an environmentally friendly manner.

### Battery Disposal

Follow your Local Authority procedures for the disposal of Lithium-Ion battery packs.

### Guarantee

All Tacwise power tools are carefully checked, tested and are subject to the stringent controls of Quality Assurance. Tacwise therefore offers the following guarantee for Tacwise power tools. Your warranty claim based on your sales contract with the retailer, including your statutory rights, shall not be affected by this guarantee.

## One-Month Guarantee

If you are not completely satisfied with the performance of your Tacwise power tool or it is faulty or damaged on purchase then we will exchange the product or issue a full refund within 28 days of purchase. Proof of purchase must be produced with an original receipt and the tool must be returned complete as purchased to the point of purchase. This does not affect your statutory rights.

## One-Year Free Servicing

If your Tacwise power tool requires maintenance or servicing in the 12 months following purchase, it will be undertaken free of charge by a Tacwise Service Engineer. Proof of purchase must be produced with an original receipt. This includes labour and spare parts for the tool. However in some cases the most economical option will likely be a replacement service exchange unit supplied by Tacwise. Accessories such as batteries, fasteners etc. are excluded.

## Two-Year Standard Warranty

Should your Tacwise power tool become defective due to faulty materials or workmanship within 24 months from the date of purchase, we guarantee to replace all defective parts free of charge or at our discretion, replace the tool free of charge. This warranty does not cover:

- Tools that have received unauthorised changes or additions.
- Defects caused by using accessories, components or spare parts other than approved/genuine Tacwise accessories or parts.
- Component parts that are subject to natural wear and tear caused by use in accordance with our operating instructions.
- Defects to the tool caused by improper use, abnormal environmental conditions or inappropriate operating conditions, non-compliance with our operating instructions or insufficient servicing or maintenance.
- Proof of purchase must be produced with an original receipt.

For details of your nearest Tacwise Service Engineer, please email [service@tacwise.com](mailto:service@tacwise.com), or to register your warranty visit [www.tacwise.com/warranty-registration](http://www.tacwise.com/warranty-registration)



Scan the QR Code above for answers to frequently asked questions about our tool range.

**(FR) Ranger EL-PRO**  
**Pistolet sans fil 2-en-1 18V agrafeuse / cloueuse**

**Félicitations !**

Merci d'avoir fait l'acquisition de l'outil électrique Tacwise. Pour un fonctionnement optimal et prolonger la durée de vie de votre appareil, suivez les consignes de sécurité et d'utilisation.

**Conservez cette notice d'utilisation pour une utilisation ultérieure.**

**Données techniques**

Outil	Agrafeuse/cloueuse 18V
Type de modèle	EL-PRO
Tension d'entrée	18V <sup>DC</sup> 2000mAh
Niveau acoustique (pression pondéré (A))	79.9dB ( A )
Niveau acoustique (puissance pondéré (A))	90.9dB ( A )
Niveau d'émission vibratoire*	1.39m/s <sup>2</sup>
Type d'agrafes	Agrafes Tacwise 91
Longueur de l'agrafe	19 à 40mm
Type de clous	Clous Tacwise 180 et 18G
Longueur du clou	12 à 50mm
Vitesse maximale de déclenchement	60 agrafes ou clous par minute
Capacité du chargeur	100 agrafes/clous
Distance minimale de clouage du mur	20 mm
Durée de fonctionnement continue par charge avec une batterie 2.0Ah	400 agrafes/clous
Poids (avec batterie)	3,0 kg
<b>Batterie</b>	<b>1514</b> Code de réapprovisionnement
Type de batterie	Li-ion
Tension	18V
Capacité	2.0 Ah
Poids	0,35 kg
<b>Chargeur</b>	
Tension secteur/entrée V CA	100 à 240V
Type de batterie	Li-ion
Temps de charge	1 à 1,5 heures approx.
Poids	0,34 kg
<b>Fusibles dans le chargeur</b>	Outils 230V 13 Ampères

\* Le niveau d'émission vibratoire indiqué correspond aux cas d'utilisation usuels de l'outil. Toutefois, l'émission de vibrations peut varier selon les cas d'utilisation, avec différents accessoires ou un mauvais entretien. Ceci peut accroître considérablement le niveau d'exposition lors du fonctionnement de l'outil.

**CE – Déclaration de Conformité Agrafeuse/cloueuse 18V**

Cet outil Tacwise a été conçu conformément aux réglementations en vigueur et normes des directives européennes.

Département Qualité, Tacwise PLC - UK

**AVERTISSEMENT ! Bien lire et comprendre toutes les consignes de sécurité avant d'utiliser ce produit**

Tout manquement à cette consigne peut provoquer un risque de choc électrique, un incendie et/ou des dommages corporels graves. Le terme "outil électroportatif" utilisé dans les consignes ci-dessous fait référence à votre outil sans fil sur batterie. Pour toute question relative aux consignes de sécurité de cet outil électrique, veuillez envoyer un courriel à [service@tacwise.com](mailto:service@tacwise.com).

**Déballage**

- Retirer soigneusement l'appareil et ses accessoires de l'emballage.
- Examiner l'outil pour vérifier qu'il n'a pas été endommagé lors de transport.
- En cas de pièces endommagées ou manquantes, veuillez envoyer un courriel à [service@tacwise.com](mailto:service@tacwise.com) pour obtenir de l'aide. Ne pas opérer cet outil avant que les pièces endommagées soient remplacées. Le non-respect de cette consigne peut occasionner des dommages corporels.
- Bien que tout ait été mis en œuvre pour assurer l'exactitude des informations contenues dans cette notice, Tacwise s'engage à améliorer continuellement ses produits et, à ce titre, se réserve le droit de modifier les spécifications du produit sans préavis.

**Consignes générales de sécurité.** Tacwise conseille de ne pas modifier cet outil électroportatif et de ne pas l'utiliser pour des applications autres que celles pour lesquelles il a été conçu. Toute altération ou modification de ce type constitue une mauvaise utilisation pouvant se traduire par un risque de dommages corporels. En cas de doute concernant ses applications, n'hésitez pas à nous contacter pour obtenir des conseils.

**Zone de Travail**

- **Conserver une zone de travail propre et bien éclairée.** Les établis encombrés et les zones de travail peu éclairées sont propices aux accidents.
- **Tenir les enfants et les animaux domestiques à l'écart.** Tous les visiteurs doivent être maintenus à une distance de sécurité de la zone de travail.
- **Éviter les zones de travail à risque.** Ne pas utiliser les outils électroportatifs dans les locaux humides ou mouillés et ne pas les exposer à la pluie. Prévoir un espace suffisant autour de la zone de travail. Ne pas utiliser dans des environnements où l'atmosphère est potentiellement explosive, comme en présence de liquides inflammables, de gaz ou de poussières ; les outils électriques peuvent provoquer des étincelles qui peuvent enflammer la poussière ou les émanations environnantes.
- **Sécuriser la pièce.** Utiliser des pinces ou un étau pour immobiliser la pièce. De cette façon, les deux mains sont libres pour actionner l'outil électrique.

**Sécurité personnelle**

- **Rester vigilant.** Faites toujours attention aux gestes effectués et faites preuve de bon sens. Ne pas utiliser un outil électrique en cas de fatigue ou sous l'influence de médicaments, d'alcool ou de drogues.

- **Porter des vêtements appropriés.** Ne pas porter de vêtements amples ou de bijoux qui peuvent s'accrocher dans les pièces mobiles. Le port de chaussures antidérapantes est recommandé. Attacher ou couvrir les cheveux longs et retrousser les manches longues au-dessus du coude.
- **Ne pas trop s'approcher ou utiliser sur des surfaces instables.** Conserver une bonne stabilité et un bon équilibre.
- **Utiliser l'équipement de sécurité.** Pour des raisons de sécurité, le port d'un masque anti-poussière, de chaussures de sécurité antidérapantes, d'un casque de protection ou d'une protection auditive est obligatoire. Toujours porter des lunettes de sécurité homologuées CE. Les lunettes de vue ordinaires sont seulement munies de verres résistants aux impacts ; ce ne sont PAS des lunettes de sécurité.

## Sécurité Électrique

- **Débrancher l'outil électroportatif.** En cas d'inutilisation, avant l'entretien ou lors du changement d'accessoires tels des agrafes/clous.
- **Ne pas utiliser les outils électroportatifs dans les locaux humides ou mouillés.**
- **Toujours brancher l'outil électrique à une prise possédant des fiches de même configuration.** Ne pas utiliser d'adaptateur avec des outils électriques raccordés à la terre. L'usage des prises d'origine réduira le risque de choc électrique.
- **Protégez-vous des risques de chocs électriques.** Lors de la manipulation d'outils électriques, éviter tout contact corporel avec des surfaces mises à la terre telles que tuyaux, radiateurs, cuisinières et réfrigérateurs.
- **Ne pas endommager le cordon d'alimentation.** Ne jamais tenir le chargeur par le câble d'alimentation ou le tirer avec force hors de la prise. Maintenir le câble d'alimentation à l'écart de la chaleur, de l'huile, des objets tranchants ou des pièces en mouvement. Des cordons endommagés ou emmêlés peuvent provoquer un incendie ou augmenter le risque de choc électrique.

## Utilisation et entretien de l'outil électrique

- **Ne pas forcer l'outil électrique.** Utiliser l'outil électrique adapté à votre utilisation. L'outil est plus efficace et plus sûr lorsqu'il est utilisé à la vitesse pour laquelle il a été conçu.
- **Débrancher le câble d'alimentation électrique avant de faire des modifications, de remplacer les pièces usées et d'entreposer l'outil.** Ces mesures de sécurité préventives réduisent le risque de démarrage accidentel de l'outil électrique.
- **Ne pas altérer ou utiliser l'outil électrique de façon inappropriée.** Toute utilisation de l'outil électrique à des fins autres que celles prévues peuvent provoquer des situations risquées.
- **NE PAS déclencher si les clous sont coincés.** Cela endommagerait la lame d'entraînement et pourrait provoquer des accidents.
- **Garder les doigts loin de la gâchette** jusqu'à ce que l'agrafeuse ou la cloueuse soit en marche.
- **Ne PAS utiliser sur des surfaces dures** comme la roche, le béton, la maçonnerie, la brique ou l'acier. Vous risqueriez de vous blesser ou d'endommager l'outil électrique.
- **Sécuriser la pièce.** Utiliser des pinces ou tout autre accessoire permettant de fixer et de maintenir la pièce sur une plateforme stable. Tenir la pièce manuellement ou à proximité de votre corps est dangereux et peut aboutir à une perte de contrôle de l'appareil.
- **Outils Entrepasés.** Tous les outils électriques non utilisés doivent être entreposés dans un placard sec et verrouillé, hors de la portée des enfants et d'autres personnes inexpérimentées.

- **Vérifier si les pièces sont endommagées.** Rectifier le mauvais alignement, le grippage ou le bris des pièces mobiles et toute autre condition pouvant affecter le fonctionnement de l'outil. Ne pas utiliser l'outil en cas de dommages et s'assurer que l'outil soit remis en état avant de le réutiliser. Un mauvais entretien des outils électriques peut entraîner des accidents.
- **Entretien les outils électriques avec soin.** Garder en condition propre les outils électroportatif pour une performance optimale. Les câbles d'alimentation doivent être inspectés de manière fréquente et remplacés en cas de dommages.
- **Accessoires recommandés.** Seuls les accessoires recommandés par le fabricant de votre modèle doivent être utilisés. Les accessoires adaptés à un outil peuvent présenter un risque de blessure s'ils sont utilisés sur un autre outil.
- **Garder les poignées au sec, propres et exemptes d'huile et de graisse.** Toujours utiliser un chiffon propre lors du nettoyage. Pour nettoyer votre outil électrique, ne jamais utiliser de liquide de frein, de l'essence, des produits à base de pétrole ou tout autre solvant puissant. Le respect de cette consigne permet de réduire le risque de perte de contrôle et la détérioration du boîtier de l'outil électrique.
- **Attention aux dangers cachés.** Vérifier que la surface de travail ne cache ni de câbles d'alimentation ni de conduites d'eau et de gaz.

## Utilisation et entretien de l'outil à batterie

- **N'utiliser que le chargeur de batterie indiqué par le fabricant.** L'utilisation du mauvais bloc-batterie avec le chargeur peut engendrer un risque d'incendie.
- **Utiliser uniquement les batteries qui correspondent à chaque outil.** L'usage d'une batterie non homologuée pourrait provoquer un risque d'incendie.
- **Tenir le bloc-batterie à l'écart des objets métalliques tels que les clés, pièces de monnaie, clous, vis, trombones, etc. lorsqu'il n'est pas en fonction.** Les objets métalliques de petite taille tels que ceux énumérés ci-dessus pourraient court-circuiter les bornes des batteries et provoquer un risque d'incendie.
- **Du liquide peut s'échapper de la batterie en cas de mauvaise utilisation. Éviter le contact.** En cas de contact accidentel de la peau avec le liquide, rincer avec de l'eau. En cas de contact du liquide avec les yeux, consulter un médecin. Le liquide s'échappant d'une batterie endommagée peut causer des irritations ou des brûlures.

## Consignes spécifiques de sécurité

- **Toujours supposer que l'outil est chargé de clous.** Manipuler l'outil négligemment peut entraîner un déclenchement inattendu des clous et occasionner des dommages corporels.
- **Utiliser seulement les agrafes/clous spécifiés dans la notice.** L'utilisation d'accessoires non adaptés à cet outil peut entraîner des dommages corporels et/ou endommager l'outil électrique.
- **Ne toucher aucune pièce du chargeur ou de la buse de l'outil électrique en cours de fonctionnement.** Ne tenir l'outil que par sa poignée ou son boîtier.
- **Ne pas mettre l'outil électrique en marche sans qu'il ne soit en contact avec la pièce à usiner.** Dégager le verrouille de sécurité sur le nez de cet outil pourrait entraîner des dommages corporels.
- **Fixation des objets minces.** Faire particulièrement attention à la pénétration possible d'objets minces, car cela peut causer des dommages à quiconque ou à quoi que ce soit se trouvant derrière la pièce ou dans la zone immédiate de travail.

- **Ne jamais utiliser cet outil comme marteau.** De tels impacts sont capable d'endommager le composants intérieurs avec pour conséquence le déclenchement involontaire ainsi que des dommages corporels.
- **Une fois les travaux de clouage terminés**, toujours débrancher la source d'alimentation (batterie) avant de décharger le chargeur.
- **Ne pas désassembler le mécanisme d'expulsion.ble or lock any of the fastener driving parts.**
- **Avant l'utilisation de cet outil.** Vérifier que le mécanisme de sécurité et de déclenchement fonctionne bien et que tous les écrous et vis sont bien serrés.
- **Ne jamais pointer un outil électrique sur soi-même ou une autre personne.** En cours de fonctionnement, manipuler l'outil de manière à ce qu'en cas de recul, aucune blessure à la tête ou au corps ne puisse être causée.
- **Ne jamais actionner l'outil électrique dans un espace libre ou dans l'air.**
- **Ne pas enfoncer de clous sur le dessus d'autres clous.**
- **Retirer la batterie en cas de blocage de clous.** Il se peut que l'outil déclenche de manière involontaire si l'on essaye de débloquer l'outil sans retirer la batterie au préalable.
- **Faire preuve de prudence lors du retrait d'un clou coincé.** Le mécanisme risque d'être en compression et un clou coincé peut être déchargé en tentant de le dégager.
- **Ne pas utiliser cet outil pour poser des câbles électriques.** Cet outil n'a pas été conçu pour l'installation de câbles électriques et peut les endommager, ce qui risque de causer un choc électrique ou un incendie.
- **Utiliser des détecteurs appropriés pour savoir s'il y a des conduites électrique ou des lignes de services publics cachées derrière la surface de travail.** Les conduites électriques endommagées peuvent avoir pour conséquence le choc électrique ou l'incendie. Les conduites de gaz endommagées peuvent causer des explosions. Les conduites d'eau endommagées peuvent provoquer des dommages matériels.
- **Tenir cet outil de façon à ce que le choc de recul ne puisse pas causer des dommages corporels en raison de mauvais fonctionnement de la batterie.**
- **Ne pas tenter d'ouvrir le bloc-batterie.** Il y a un risque de court-circuit.
- **Mettre la batterie à l'abri de la chaleur (soleil intense continu), du feu, de l'eau et de l'humidité.** Il y a un risque d'explosion.
- **Une batterie endommagée ou soumise à une mauvaise utilisation peut émettre des vapeurs.** En cas d'inhalation des vapeurs, s'assurer de bien ventiler la zone de travail et obtenir des soins médicaux. Les vapeurs peuvent irriter le système respiratoire.
- **N'utiliser la batterie qu'avec votre outil électrique Tacwise.** Cela évitera le surchargement de la batterie.
- **N'utiliser la batterie qu'avec les outils de Tacwise pour lesquelles elle a été conçue et dont la tension correspond avec celle indiquée sur l'outil.** Il peut y avoir un risque de blessures ainsi que des dommages matériels par l'explosion des batteries contrefaites, reconditionnées ou d'autres marques.
- **Le mécanisme d'expulsion électrique a été conçue uniquement pour la tension indiquée.** Toujours vérifier que la tensions indiquée sur la batterie correspond à celle indiquée sur l'outil. Vérifier également que la tension du chargeur correspond à celle du réseau électrique.

## Modèle et numéro de série

Le nom de modèle de cet outil se trouve sur une étiquette située sur le canal du magazine de l'outil et le numéro de série est situé sur le corps de l'outil qui abrite la batterie. Veuillez inscrire le nom du modèle et le numéro de série dans l'espace prévu ci-dessous. Veuillez toujours fournir les informations suivantes lorsque vous nous contactez :

NOM DU MODÈLE .....

NUMÉRO DE SÉRIE .....

## Explication de l'étiquette sur l'outil électrique



Toujours respecter les consignes de sécurité et les avertissements

## Explication de l'étiquette sur le bloc-batterie



Lire le mode d'emploi avant utilisation



Ne pas charger des bloc-batteries endommagés



Ne pas jeter au feu le bloc-batterie



Charger la batterie à des températures comprises entre 5°C et 45°C exclusivement



Recyclable



Éliminer les batteries conformément à la législation environnementale en vigueur.



CE : Conforme aux directives CE

## Explication de l'étiquette sur le chargeur de batterie



Lire le mode d'emploi avant utilisation



Utiliser exclusivement à l'intérieur



Sécurité électrique ; vérifier également que la tension du chargeur correspond à celle du réseau électrique.



Danger - objet électrique



Jeter les appareils électriques conformément à la législation environnementale en vigueur.



Prend le fusible T2A



CE : Conforme aux directives CE



GS : Conforme à la législation allemande sur la sécurité des produits

## Service

Toute intervention d'entretien nécessite des outils et des connaissances spécifiques nécessitant l'intervention d'un Ingénieur Service Tacwise ou d'un agent d'entretien agréé. Nous recommandons fortement que l'on n'ouvre jamais le revêtement de cet outil puisque cela pourrait avoir pour résultat des dommages corporels ainsi que l'annulation de la garantie.

## Avis d'utilisation

1. Utilisez l'outil en cycles de 15 minutes pour éviter la surchauffe de l'outil et de la batterie.
2. Il est suggéré de ne pas dépasser le tir de 200 attaches dans une utilisation continue.
3. Laissez la batterie refroidir avant de charger pour obtenir des performances optimales.

## Caractéristiques ( Fig. A )

Votre pistolet sans fil 2 en 1 18V agrafeuse / cloueuse a été conçu pour perforer des supports et pièces en bois.

1. Gâchette
2. Bouton de déverrouillage de batterie
3. Bloc-batterie
4. Commutateur d'éclairage LED
5. Crochet ceinture
6. Commutateur de tir simple/contact
7. Protection nasale de recharge
8. Chargeur
9. Indicateur LED
10. Voyant LED
11. Épingle de contact de sécurité avec protecteur de nez
12. Molette de réglage de profondeur

## Chargement de la batterie

**N'utiliser que le chargeur de batterie fourni avec cet outil.** Utiliser uniquement le chargeur adapté à la batterie Lithium-Ion fourni avec cet outil.

- Insérer le câble de charge du réseau dans le bloc-batterie en alignant le contact. Enfoncez la batterie jusqu'à ce qu'elle s'enclenche en position. Brancher le chargeur à une prise de courant. Le voyant indicateur du chargeur est rouge (la batterie se recharge).
- Lorsque la batterie est complètement chargée ( approx. 1-1.5hrs ) l'indicateur sur le chargeur passera au vert.
- La batterie est maintenant prête à l'emploi. Retirer le chargeur de la prise de courant et retirer le bloc-batterie du chargeur.

**REMARQUE :** La batterie est fournie partiellement chargée. Pour assurer un rendement maximale, charger complètement la batterie avant sa première utilisation. La batterie lithium-ion peut être chargée à n'importe quel moment sans réduire sa durée de vie. L'interruption de son chargement n'endommage pas la batterie. Une batterie ne développe sa pleine capacité qu'après environ 5 cycles de charge/décharge.

La batterie est munie d'un contrôle de température NTC afin de ne permettre la charge que dans une plage de température comprise entre 0°C et 40°C. Ainsi, la durée de vie de la batterie est prolongée. Respecter les consignes relatives à « l'élimination des batteries ».

## Indicateurs LED sur le Chargeur de Batterie

- LED rouge = chargement en cours/batterie faible.
- LED verte allumée = batterie entièrement chargée.

## Fonctions LED de l'outil

- LED rouge = batterie faible.
- Clignotant rouge DEL - agrafes/ongles coincés ou chargeur trop chaud.
- LED vert sur -pas d'agrafes/ongles chargés, outil de puissance en mode de protection contre le feu sec.
- Clignotement LED vert - Outil de puissance en mode de protection contre la surchauffe. L'outil électrique ne se déclenchera pas, laissez-le refroidir avant toute utilisation.

## Pour charger, insérer la batterie ( Fig. B )

Pour charger, enfoncer la batterie dans son compartiment jusqu'au clic. Appuyer sur le bouton de dégagement de la batterie ( 2 ) et retirer la batterie pour l'extraire entièrement vers l'arrière.

## Vérification du mécanisme de déclenchement par contact

- Veiller à retirer tous les clous/agrafes du chargeur ( 8 ).
- Appuyez sur le nez de sécurité / broche de contact et appuyez sur la gâchette. Le mécanisme du cran de sécurité et de la gâchette doit se déplacer librement.
- Recharger les clous/agrafes du chargeur.
- Ne pas utiliser l'outil électrique si le mécanisme du cran de sécurité ne se déplace pas librement.
- Placer le cran de sécurité sur la pièce et enfoncer l'outil électrique dans celle-ci sans appuyer sur la gâchette, l'outil ne doit pas se déclencher. Soulever l'outil électrique de la pièce et le cran de sécurité va se relever automatiquement.
- Appuyez sur la gâchette, l'outil électrique ne doit pas se déclencher.

## Chargement de l'outil avec des agrafes ( Fig. C )

- Retirez le bloc-batterie de l'outil
- Appuyez sur le bouton de dégagement ( 2 ) et retirer le couvercle du chargeur.
- Basculez l'outil et placez les clous et les agrafes dans le rail du chargeur.

**REMARQUE :** Assurez-vous que les attaches sont placées correctement.

- Les clous sont placés contre le bord profilé du rail, les pointes des clous étant orientées dans le sens opposé à celui l'outil.
- Les agrafes sont placées contre le bord profilé du rail. La couronne de l'agrafe doit être dans la partie supérieure du chargeur (les pattes d'agrafes tournées dans le sens opposé au corps de l'outil).
- Insérer le chargeur ( 8 ) jusqu'à ce que le loquet de dégagement s'enclenche et verrouille le chargeur.
- Remettre le bloc-batterie place.

**REMARQUE :** Ne pas charger des clous de longueurs différentes. Ne pas charger un mélange d'agrafes et de clous.

**REMARQUE :** Nous vous recommandons fortement d'utiliser exclusivement des agrafes et des clous Tacwise approuvés/authentiques.

## Déchargement de l'outil

- Serrer la languette de dégagement ( 8 ) et faire glisser le magasin ( 12 ).
- Retirer les agrafes/clous du chargeur.

**REMARQUE :** Faire preuve de prudence en faisant glisser le chargeur vers l'arrière pour le refermer. Ne pas utiliser une force excessive, auquella languette du chargeur peut être endommagée et vous risquez de vous coincer ou de vous pincer les doigts.

## Embouts protecteur/protège-nez anti-marque

Cet outil est fourni avec un protège-nez amovible en caoutchouc qui empêche l'outil de marquer la surface de la pièce. Cet outil peut être utilisé avec ou sans l'embout de protection.

L'embout de protection peut être retiré et remplacé.

- Avant d'enlever ou de remplacer le protège-nez, débranchez la source d'alimentation et enlevez les attaches de fixation.
- Retirer le protège-nez du support de contact.
- Pour le remplacer, installer l'embout de remplacement sur la plaque avant de l'outil.

**REMARQUE :** Un protège-nez de rechange est situé sur le côté/arrière du chargeur ( 8 ). Pour commander des protège-nez supplémentaires, veuillez contacter votre fournisseur habituel avec le code de devis : 1513

**Important.** Le choix du mode de fixation est important, vérifiez ci-dessous les options disponibles.

## Mode de tir simple ( Fig. D 1 )

Adapté au montage de précision.

- Tenir fermement la poignée de l'outil électrique avec le chargeur dans un angle de 90° par rapport au support.
- Poussez le commutateur de tir simple/contact vers la gauche. Le mode de déclenchement unique est maintenant activé.
- Appuyer sur le cran de sécurité de la pièce à usiner.
- Appuyez sur la gâchette pour déclencher l'agrafe/ongle.
- Relâchez la gâchette et la goupille de contact de sécurité après utilisation.

**REMARQUE :** La goupille de contact de sécurité doit être enfoncée avant que la gâchette ne soit pressée.

## Mode tir par contact ( Fig. D 2 )

Adapté au tir rapide et commode.

- Tenir fermement la poignée de l'outil électrique avec le chargeur dans un angle de 90° par rapport au support.
- Appuyez sur le commutateur de tir simple/contact vers le mode de tir de contact droit est maintenant activé.
- Appuyez sur la gâchette, continuez à presser et ne relâchez pas.
- Appuyer sur le cran de sécurité de la pièce à usiner.
- Continuez à presser la gâchette, soulevez l'outil de puissance de la pièce de travail pour libérer la goupille de contact de sécurité après le tir.
- Appuyez sur la broche de contact de sécurité sur la pièce de travail pour reprendre le tir.

**REMARQUE :** La gâchette doit être serrée en tout temps pendant que la goupille de contact de sécurité est relâché. Ne pas maintenir la gâchette enfoncée lorsque l'outil n'est pas en cours d'utilisation pour éviter tout déclenchement accidentel.

## Ajustement de la profondeur ( Fig. E )

La profondeur des clous peut être réglée en utilisant la mollette ( 12 ).

- **Les clous ne sont pas suffisamment enfoncés :** Pour augmenter la profondeur des clous, faire tourner la mollette à gauche 1. ou

- **Les clous sont trop enfoncés :** Pour réduire la profondeur des clous, faire tourner la mollette à droite.
- Faire un essai pour vérifier la profondeur. Répéter les étapes ci-dessus si nécessaire.

## Débloquer l'outil ( Fig. F )

**REMARQUE :** Vous devez enlever les agrafes ou les clous coincés avant d'utiliser l'outil. Si vous continuez d'essayer de tirer un clou alors que l'outil est bloqué, le mécanisme pourrait s'endommager.

- Pivotez l'outil et retirez les agrafes/clous inutilisés dans le conduit du chargeur, pour dégager la/les attache(s) coincée(s).
- Si les attaches restent bloquées après avoir suivi les consignes ci-dessus. Dévisser les 4 boulons hexagonaux de la plaque de la pièce avant à l'aide de la clé fournie et retirer la plaque. Mettez de côté les boulons hexagonaux.
- Répétez l'opération pour la deuxième plaque de l'embouchure et retirez-la également. Mettez de côté les boulons hexagonaux.

**Remarque :** les boulons hexagonaux pour la deuxième plaque sont de tailles différentes des boulons hexagonaux pour la plaque supérieure, alors séparez-vous.

- Avec les deux plaquettes de nez retirées, vous apercevrez la ou les fixations coincées. Retirer à l'aide d'une paire de pinces si nécessaire.
- Remonter les plaquettes de nez et reserrer les boulons hexagonaux, ne pas trop serrer.
- Recharger le chargeur.
- Utilisez des attaches tests pour vous assurer que l'outil marche correctement.

**REMARQUE :** Si des agrafes ou des clous se retrouvent fréquemment coincés dans l'embout, faites-le vérifier par un agent Tacwise ou un technicien de maintenance.

## Maintenance

L'outil Tacwise été conçu pour fournir des performances fiables durablement avec un minimum d'entretien. Pour un fonctionnement optimal et continu, il est primordial d'entretenir correctement les outils et de les nettoyer régulièrement.

En cas de panne de la machine malgré toutes les précautions prises lors de la fabrication et des procédures d'essai, la réparation doit être effectuée par un technicien Tacwise ou un agent de service agréé. Dans toute correspondance et commande de pièces de rechange, veuillez toujours indiquer le numéro de série indiqué sur cette machine.

## Nettoyage

- Retirer la batterie avant de nettoyer le boîtier avec un chiffon doux.
- Maintenir les fentes d'aération dégagées et régulièrement propres.
- Nettoyer le chargeur (8). Enlever tous les débris qui peuvent s'accumuler dans le chargeur en cours de fonctionnement.

## Lubrification

Aucune lubrification nécessaire. Ne pas lubrifier l'outil, car cela peut endommager les pièces internes.

## Assistance technique et conseils produit

Que faire en cas de problème avec votre outil Tacwise ? Envoyer un e-mail à [service@tacwise.com](mailto:service@tacwise.com).



## Transport

Les batteries lithium-ion incluses sont soumises aux réglementations relatives aux marchandises dangereuses. L'utilisateur peut transporter les batteries par la route sans aucune réglementation supplémentaire.

En cas de transport par des tiers (p. ex. transport aérien ou agences d'expédition), des réglementations particulières concernant l'emballage et l'étiquetage doivent être respectées. Un expert en matières dangereuses doit être consulté pour la préparation de l'article à expédier. N'expédier les batteries que lorsque le boîtier n'est pas endommagé. Couvrir les bornes et emballer la batterie de manière à ce qu'elle ne puisse pas se déplacer dans l'emballage. Vérifier et respecter également les réglementations régionales en vigueur.

**Centre de Recyclage de Tacwise** - au service du client et de l'environnement.

## Outils indésirables

Recycler les matières indésirables plutôt que de les jeter comme déchets. Tous les outils et emballages doivent être triés, transportés au centre de recyclage local et éliminés dans le respect de l'environnement. Par ailleurs, envoyer un mail à [service@tacwise.com](mailto:service@tacwise.com) pour savoir comment disposer d'un outil électroportatif de Tacwise à titre gratuit et de manière écologique.

## Élimination des batteries

Respecter les procédures des autorités locales relatives à l'élimination des batteries au lithium-ion.

## Garantie

Tous les outils électroportatif de Tacwise sont soigneusement examinés et contrôlés. Par conséquent, les outils électroportatif de Tacwise comprennent la garantie suivante. Votre réclamation sous garantie en vertu de votre contrat de vente avec le détaillant, y compris vos droits légaux, ne sera pas affectée par cette garantie.

### Garantie d'un mois

Si vous n'êtes pas entièrement satisfait de la performance de votre outil électrique ou s'il est défectueux ou endommagé lors de l'achat, nous échangerons le produit ou vous rembourserons intégralement dans les 28 jours suivant l'achat. Une preuve d'achat doit être soumise avec le reçu d'origine et l'outil doit être retourné au point d'achat dans son intégralité. Ceci n'affecte pas vos droits légaux.

### Un an d'entretien gratuit

Au cas où un outil électroportatif de Tacwise aurait besoin d'entretien dans les 12 mois suivant l'achat, l'entretien sera entrepris à titre gratuit par un ingénieur nommée par Tacwise. Une preuve d'achat doit être soumise avec le reçu d'origine. Cela comprend la main-d'œuvre et les pièces de rechange pour l'outil. Dans la plupart des cas, un outil d'échange serait fourni par Tacwise. Les accessoires tels que les batteries, les agrafes, les clous, etc. sont exclus.

### Garantie standard de 2 ans

Au cas où un outil Tacwise devient défectueux en raison de matériaux ou de fabrication pendant les 24 mois suivant l'achat, nous nous engageons à remplacer les pièces défectueuses à titre gratuit ou, selon notre discrétion, l'outil entier. Cette garantie ne couvre pas :

- Les outils ayant été modifiés ou ajoutés sans autorisation.
- Les défauts causés par l'utilisation d'accessoires, de composants ou de pièces de rechange autres que les accessoires ou pièces Tacwise approuvés/authentiques.

- Les pièces sujettes à une usure naturelle due à l'utilisation conformément à notre mode d'emploi.
- Les défauts dus à l'utilisation de l'outil résultant d'une mauvaise utilisation, de conditions environnementales anormales ou de conditions d'utilisation inappropriées, du non-respect de nos consignes de réparation ou d'entretien ou d'un entretien insuffisant.
- Une preuve d'achat doit être soumise avec le reçu d'origine.

Pour obtenir les coordonnées d'un technicien d'entretien Tacwise près de chez vous, envoyez un e-mail à [service@tacwise.com](mailto:service@tacwise.com), ou pour enregistrer votre garantie, consultez [www.tacwise.com/warranty-registration](http://www.tacwise.com/warranty-registration)



Scanner le code QR ci-dessus pour consulter les questions les plus fréquemment demandées.

**DE Ranger EL-PRO**  
**18 V Kabellose 2-in-1 Klammer-/Nagelpistole**

**Herzlichen Glückwunsch!**

Zum Kauf Ihres Tacwise Elektrowerkzeugs. Ihr Werkzeug wird für eine lange Zeit zu Ihrer Zufriedenheit funktionieren, wenn es gemäß unserer Sicherheits- und Betriebsanleitungen behandelt wird.

**Bewahren Sie dieses Handbuch auf, um es zu einem späteren Zeitpunkt heranzuziehen**

**Technische Daten**

Werkzeug	18 V Klammer-/Nagelpistole
Modelltyp	EL-PRO
Eingangsspannung	18 V <sup>DC</sup> 2000 mAh
A-gewichteter Schalldruckpegel	79,9 dB (A)
A-gewichteter Schallleistungspegel	90,9 dB (A)
Schwingungsemissionsniveau*	1,39 m/s <sup>2</sup>
Art der Klammer	Tacwise 91 Klammern
Klammerlänge	19 - 40 mm
Art des Nagels	Tacwise 180 & 18G Nägel
Nagellänge	12 - 50 mm
Max. Abschussgeschwindigkeit	60 Klammern oder Nägel pro Minute
Magazinkapazität	100 Klammern/Nägel
Min. Nagelabstand zur Wand	20 mm
Dauer des Dauerbetriebs pro Ladung mit 2,0 Ah Akku	400 Klammern/Nägel
Gewicht (mit Akku)	3,0 kg
<b>Akku</b>	<b>1514</b> Nachbestell-Code
Akkutyp	Li-ion
Spannung	18 V
Kapazität	2,0 Ah
Gewicht	0,35 kg
<b>Ladegerät</b>	
Netzspannung/Eingang V AC	100-240 V
Akkutyp	Li-ion
Ladezeit	ca. 1-1,5 Std.
Gewicht	0,34 kg
<b>Sicherungen in Ladegerät</b>	230 V Werkzeuge 13 Ampere

\* Das angegebene Schwingungsemissionsniveau stellt die Hauptanwendungen des Werkzeugs dar. Wird das Werkzeug jedoch für unterschiedliche Anwendungen, mit unterschiedlichem Zubehör benutzt oder schlecht gewartet, kann die Schwingungsemission abweichen. Dies kann das Expositionsniveau über die gesamte Arbeitszeit deutlich erhöhen.

**CE – Konformitätserklärung**

**18 V kabellose Klammer-/Nagelpistole**



Tacwise erklärt, dass dieses Elektrowerkzeug in Übereinstimmung mit den Vorschriften und Normen der europäischen Richtlinien entwickelt wurde.

Quality Department, Tacwise Group Plc – Großbritannien

**WARNUNG! Lesen vor Gebrauch alle Anweisungen sorgfältig durch, und stellen Sie sicher, dass Sie diese verstehen.**

Dies zu missachten kann zu einem Stromschlag, Feuer und/oder schweren Verletzungen führen. In allen unten aufgeführten Warnungen bezieht sich der Begriff „Elektrowerkzeug“ auf Ihre akkubetriebenen (kabellosen) Elektrowerkzeuge. Bei Fragen zur Sicherheit dieses Elektrowerkzeugs senden Sie bitte eine E-Mail an [service@tacwise.com](mailto:service@tacwise.com).

**Auspacken**

- Nehmen Sie das Werkzeug und Zubehör vorsichtig aus der Verpackung.
- Überprüfen Sie das Werkzeug sorgfältig, um sicherzustellen, dass während des Transports keine Bruch- oder andere Schäden entstanden sind.
- Falls irgendwelche Teile beschädigt sind oder fehlen, senden Sie bitte eine E-Mail an [service@tacwise.com](mailto:service@tacwise.com), um Hilfe zu erhalten. Benutzen Sie das Werkzeug nicht bevor nicht die fehlenden oder beschädigten Teile ausgetauscht wurden. Nichtbeachtung kann zu Körperverletzungen führen.
- Obwohl alle Anstrengungen unternommen wurden, um zu gewährleisten, dass alle in diesem Handbuch enthaltenen Informationen genau sind, richtet sich die Tacwise-Richtlinie nach der kontinuierlichen Verbesserung unserer Produkte und daher behalten wir uns das Recht vor, die Produktspezifikation ohne vorherige Ankündigung zu ändern.

**Allgemeine Sicherheitshinweise**

**Wichtig.** Tacwise empfiehlt, dieses Elektrowerkzeug weder zu verändern noch für andere Anwendungen zu benutzen, als für die es entwickelt wurde. Jede derartige Änderung oder jeder Fehlgebrauch ist eine Zweckentfremdung, die zu gefährlichen Betriebsbedingungen und Körperverletzung führen kann. Wenn Sie sich über die jeweiligen Anwendungen nicht sicher sind, zögern Sie nicht, uns zu kontaktieren und wir werden Sie beraten.

**Arbeitsbereich**

- **Halten Sie Ihren Arbeitsbereich sauber und gut beleuchtet.** Unübersichtliche Werkbänke und dunkle Bereiche laden zu Unfällen ein.
- **Halten Sie Kinder und Haustiere fern.** Alle Besucher sollten einen sicheren Abstand zum Arbeitsbereich einhalten.
- **Vermeiden Sie Gefahrenbereiche.** Verwenden Sie das Elektrowerkzeug nicht in feuchten oder nassen Umgebungen und setzen Sie es keinem Regen aus. Sorgen Sie für ausreichend Platz um den Arbeitsbereich herum. Verwenden Sie es nicht in Umgebungen mit potenziell explosionsgefährlicher Atmosphäre, etwa wenn brennbare Flüssigkeiten, Gase oder Staub vorhanden ist; Elektrowerkzeuge erzeugen Funken, die den Staub oder die Dämpfe entzünden können.
- **Sicheres Arbeiten.** Verwenden Sie Klemmen oder einen Schraubstock, um das Werkstück zu halten. Dadurch bleiben beide Hände frei, um das Elektrowerkzeug zu bedienen.

## Persönliche Sicherheit

- **Bleiben Sie wachsam.** Achten Sie stets darauf, was Sie tun und benutzen Sie Ihren gesunden Menschenverstand. Bedienen Sie kein Elektrowerkzeug, wenn Sie müde sind oder unter dem Einfluss von Medikamenten, Alkohol oder Drogen stehen.
- **Tragen Sie angemessene Kleidung.** Tragen Sie keine lose Kleidung oder Schmuck, die sich in den beweglichen Teilen verfangen kann. Rutschfestes Schuhwerk wird empfohlen. Decken Sie langes Haar ab und rollen Sie lange Ärmel bis zum Ellenbogen hoch.
- **Arbeiten Sie nicht in Überreichweite oder auf instabilen Flächen.** Behalten Sie immer einen festen Stand und das Gleichgewicht.
- **Verwenden Sie Sicherheitsausrüstung.** Unter entsprechenden Bedingungen müssen Staubmaske, rutschfeste Sicherheitsschuhe, Schutzhelm oder Gehörschutz getragen werden. Tragen Sie immer eine CE-geprüfte Schutzbrille und Schutzhandschuhe. Normale Brillen haben nur schlagfeste Gläser; sie sind KEINE Schutzbrillen.

## Elektrische Sicherheit

- **Trennen Sie die Stromversorgung des Werkzeugs.** Bei Nichtgebrauch, vor der Wartung oder beim Wechsel von Zubehör wie Klammern/Nägeln usw.
- **Setzen Sie das Elektrowerkzeug nicht Regen oder Nässe aus.**
- **Die Stecker des Elektrowerkzeugs müssen der Steckdose entsprechen.** Verwenden Sie mit geerdeten Elektrowerkzeugen keine Adapterstecker. Unveränderte Stecker und passende Steckdosen reduzieren das Risiko eines Stromschlags.
- **Schützen Sie sich vor Stromschlag.** Vermeiden Sie bei Arbeiten mit Elektrowerkzeugen den Kontakt mit geerdeten Flächen wie Rohren, Heizkörpern, Kochfeldern und Kühlschränken.
- **Zweckentfremden Sie das Kabel nicht.** Tragen Sie das Ladegerät niemals am Netzkabel und ziehen Sie es nicht mit Gewalt aus der Steckdose. Halten Sie das Netzkabel fern von Hitze, Öl, scharfen Kanten oder beweglichen Teilen. Beschädigte oder verwickelte Kabel können einen Brand verursachen oder die Gefahr eines Stromschlags erhöhen.

## Gebrauch und Pflege von Elektrowerkzeugen

- **Üben Sie auf das Elektrowerkzeug keine Gewalt aus.** Verwenden Sie das für Ihre Anwendung richtige Elektrowerkzeug. In dem Bereich, für den es konzipiert wurde, wird es die Arbeit besser und sicherer erledigen.
- **Trennen Sie das Werkzeug von der Stromquelle, bevor Sie Anpassungen vornehmen, Zubehör austauschen oder das Elektrowerkzeug aufbewahren.** Solche vorbeugenden Sicherheitsmaßnahmen verringern das Risiko, dass sich das Elektrowerkzeug versehentlich einschaltet.
- **Verändern und zweckentfremden Sie das Elektrowerkzeug nicht.** Wird das Elektrowerkzeug für andere Arbeiten verwendet als für die es vorgesehen ist, kann es zu einer Gefahrensituation kommen.
- **Feuern Sie NICHT, wenn sich Nägel verklemt haben.** Dies verursacht Beschädigungen an der Antriebslamelle und könnte zu Unfällen führen.
- Bis sie bereit sind, Klammern/Nägel einzutreiben, **halten Sie den Finger vom Abzug weg.**
- **NICHT auf harten Oberflächen** wie Gestein, Beton, Mauerwerk, Ziegelsteinen oder Stahl verwenden. Personenschäden oder Beschädigung des Elektrowerkzeugs könnten die Folge sein.
- **Sicheres Arbeiten.** Verwenden Sie Spannvorrichtungen oder andere praktische Möglichkeiten, um das Werkstück auf einer stabilen Plattform zu sichern und zu unterstützen. Das Werkstück

mit der Hand zu halten oder gegen den Körper zu drücken, ist instabil und kann zu Kontrollverlust führen.

- **Aufbewahrung von Elektrowerkzeugen.** Bei Nichtgebrauch sollten alle Elektrowerkzeuge in einem trockenen, verschlossenen Schrank und außerhalb der Reichweite von Kindern und anderen ungeschulten Personen aufbewahrt werden.
- **Überprüfen Sie es auf beschädigte Teile.** Überprüfen Sie auf Fehlausrichtung oder Biegung beweglicher Teile, Bruch von Teilen und alle anderen Bedingungen, die den Betrieb von Elektrowerkzeugen beeinträchtigen könnten. Stellen Sie bei Beschädigung die Benutzung sofort ein und gewährleisten Sie, dass das Elektrowerkzeug vor Gebrauch repariert wird. Schlecht gewartete Elektrowerkzeuge können zu Unfällen führen.
- **Warten Sie Elektrowerkzeuge sorgfältig.** Um die sicherste Leistung zu erzielen, halten Sie Elektrowerkzeuge sauber. Alle Kabel müssen in regelmäßigen Abständen überprüft und bei Beschädigung ausgetauscht werden.
- **Empfohlenes Zubehör.** Verwenden Sie nur Zubehör, das vom Hersteller für Ihr Modell empfohlen wird. Zubehör, das für ein Werkzeug geeignet sein kann, kann bei Verwendung an einem anderen Werkzeug zu Verletzungsgefahr führen.
- **Halten Sie das Elektrowerkzeug und seinen Griff trocken, sauber und frei von Öl und Fett.** Verwenden Sie bei der Reinigung immer ein sauberes Tuch. Verwenden Sie, um Ihr Elektrowerkzeug zu reinigen, niemals Bremsflüssigkeiten, Benzin, Produkte auf Erdölbasis oder starke Lösungsmittel. Wenn Sie diese Regel befolgen, werden sie das Risiko reduzieren, dass sich das Gehäuse abnutzt und Sie die Kontrolle über das Elektrowerkzeug verlieren.
- **Achten Sie auf versteckte Gefahr.** Stellen Sie immer sicher, dass nicht die Gefahr besteht, versteckte Stromkabel, Wasser- oder Gasleitungen zu treffen.

## Gebrauch und Pflege des Akkuladegeräts

- **Verwenden Sie nur das vom Hersteller angegebene Ladegerät.** Wenn Sie mit dem Ladegerät den falschen Akku verwenden, kann dies zu einem Brand führen.
- **Verwenden Sie nur die für das richtige Werkzeug angegebenen Akkupacks.** Wenn Sie mit dem Elektrogerät das falsche Akkupack verwenden, kann dies zu einem Brand führen.
- **Halten Sie den Akku, wenn er nicht verwendet wird, von anderen Metallgegenständen wie Schlüsseln, Münzen, Nägeln, Schrauben, Büroklammer usw. fern.** Kleine Metallobjekte, wie die oben aufgeführten, könnten einen Kurzschluss verursachen, die Akkuklammern überbrücken und dadurch einen Brand verursachen.
- **Wenn der Akku missbräuchlich verwendet wird, kann Flüssigkeit austreten. Vermeiden Sie den Kontakt.** Sollte Ihre Haut versehentlich mit der Flüssigkeit in Berührung kommen, spülen Sie sie mit Wasser. Wenn die Flüssigkeit mit Ihren Augen in Berührung kommt, suchen Sie zusätzlich einen Arzt auf. Aus dem beschädigten Akku austretende Flüssigkeit kann zu Reizungen oder Verbrennungen führen.

## Spezifische Sicherheitshinweise

- **Gehen Sie immer davon aus, dass das Werkzeug mit Befestigungselementen geladen ist.** Unvorsichtiger Umgang mit dem Werkzeug kann zu einem unerwarteten Abfeuern von Befestigungselementen und zu Körperverletzungen führen.
- **Verwenden Sie nur die im Handbuch angegebenen Klammern/Nägel.** Die Verwendung von Zubehöerteilen, die nicht für dieses Gerät vorgesehen sind, kann zu Verletzungen und/oder Schäden am Elektrowerkzeug führen.

- **Berühren Sie während des Gebrauchs keine Teile des Elektrowerkzeugmagazins oder der Nase.** Halten Sie nur den Griff oder das Werkzeuggehäuse.
- **Aktivieren Sie das Elektrowerkzeug nur dann, wenn es mit dem Werkstück in Berührung kommt.** Wenn Sie den Sicherheitskontaktstift/Kontaktauslöser mit den Fingern drücken, können schwere Verletzungen auftreten.
- **Befestigung dünner Gegenstände.** Beim Durchdringen dünner Gegenstände ist besondere Vorsicht geboten, da dabei Personen oder Gegenstände, die sich hinter oder in unmittelbarer Nähe des Werkstücks befinden, verletzt werden oder Schaden nehmen können.
- **Benutzen Sie das Werkzeug niemals als Hammer.** Bei einem plötzlichen Aufschlag könnten sich die inneren Bauteile des Elektrowerkzeugs verschieben, was zu einer Verlagerung von Befestigungselementen und zu Verletzungen führen kann.
- **Wenn das Befestigen abgeschlossen ist,** entnehmen Sie den Akku oder ziehen Sie das Kabel aus der Steckdose, bevor Sie das Magazin entladen.
- **Demontieren Sie keine der Befestigungsantriebssteile.**
- **Vor jeder Inbetriebnahme.** Überprüfen Sie, ob der Sicherheits- und Auslösemechanismus ordnungsgemäß funktioniert und dass alle Muttern und Schrauben fest angezogen sind.
- **Richten Sie ein Elektrowerkzeug niemals auf sich selbst oder auf eine andere Person.** Halten Sie das Gerät bei der Arbeit so, dass bei einem möglichen Rückstoß keine Verletzungen am Kopf oder am Körper auftreten können.
- **Betätigen Sie das Elektrowerkzeug nie im freien Raum oder in der Luft.**
- **Treiben Sie keine Befestigungselemente auf anderen Befestigungselementen ein.**
- **Wenn sich ein Befestigungselement verklemmt hat, trennen Sie den Akku vom Werkzeug.** Beim Entfernen eines verklemmten Befestigungselements kann das Werkzeug versehentlich ausgelöst werden, falls es noch mit dem Akku verbunden ist.
- **Seien Sie vorsichtig, wenn Sie ein Befestigungselement entfernen.** Der Mechanismus kann unter Druck stehen und ein verklemmtes Befestigungselement kann beim Versuch, es zu lösen, entladen werden.
- **Benutzen Sie dieses Werkzeug nicht, um Elektrokabel zu befestigen.** Dieses Werkzeug ist nicht für die Installation von Elektrokabeln vorgesehen und kann Stromkabel beschädigen, was wiederum zu Verletzungen durch Stromschlag oder zu einer Brandgefahr führen kann.
- **Verwenden Sie geeignete Detektoren, um festzustellen, ob Versorgungsleitungen im Arbeitsbereich verborgen liegen, oder erkundigen Sie sich beim örtlichen Versorgungsunternehmen.** Sollte eine Stromleitung beschädigt werden, könnte dies zu einem Brand und Stromschlag führen. Beschädigte Gasleitungen können Explosionen auslösen. Das Eindringen in eine Wasserleitung kann Sachschäden verursachen.
- **Halten Sie das Elektrowerkzeug bei Gebrauch so fest, dass Kopf und/oder Körper nicht durch das Gerät verletzt werden können, falls es aufgrund einer Fehlfunktion des Akkus oder durch Gegenstände im Arbeitsbereich plötzlich zurückschlägt.**
- **Versuchen Sie nicht, den Akkupack zu öffnen.** Es besteht die Gefahr eines Kurzschlusses.
- **Schützen Sie den Akku vor Hitze (dauerhafte starke Sonneneinstrahlung), Feuer, Wasser und Feuchtigkeit.** Es besteht Explosionsgefahr.

- **Ein beschädigter oder unsachgemäß verwendeter Akku, kann Dämpfe freisetzen.** Belüften Sie den Bereich und suchen Sie bei Bedarf medizinische Hilfe. Die Dämpfe können die Atemwege reizen.
- **Verwenden Sie den Akku nur in Verbindung mit Ihrem Tacwise Elektrowerkzeug.** Dadurch wird es vor Überlastung geschützt.
- **Verwenden Sie nur Original-Tacwise-Akkus mit der Spannung, die auf dem Typenschild des Elektrowerkzeugs aufgeführt ist.** Durch überholte und Akkus anderer Hersteller sowie durch Nachahmungen besteht die Gefahr, dass der Akku explodiert, Verletzungen oder Sachschäden anrichtet.
- **Der Elektromotor ist nur für eine einzige Spannung ausgelegt.** Überprüfen Sie immer, ob die Spannung des Akkupacks der auf dem Typenschild entspricht. Vergewissern Sie sich darüber hinaus, dass die Spannung Ihres Ladegeräts der Ihres Stromnetzes entspricht.

## Modell- und Seriennummer

Der Modellname dieses Werkzeugs befindet sich auf einem Etikett auf dem Magazinkanal des Werkzeugs und die Seriennummer befindet sich auf dem Gehäuse des Werkzeugs, in dem sich auch der Akku befindet. Bitte tragen Sie Modellbezeichnung und Seriennummer in das untenstehende Feld ein. Bitte geben Sie bei der Kontaktaufnahme immer die folgenden Informationen an:

MODELLNAME .....

SERIENNUMMER .....

## Erläuterung der Beschriftung auf dem Elektrowerkzeug



Beachten Sie immer die Sicherheitshinweise und Warnhinweise

## Erläuterung des Etiketts auf dem Akkupack



Lesen Sie vor Gebrauch die Bedienungsanleitung durch.



Laden Sie niemals beschädigte Akkupacks auf



Verbrennen Sie niemals Akkupacks



Laden Sie nur bei Temperaturen zwischen 5° C und 45° C auf



Recyclebar



Entsorgen Sie Akkus in Übereinstimmung mit den Umweltgesetzen



CE: Entspricht den EG-Richtlinien

## Erklärung des Etiketts auf dem Ladegerät



Lesen Sie vor Gebrauch die Bedienungsanleitung durch.



Nur im Innenbereich verwenden



Elektrische Sicherheit: Stellen Sie sicher, dass die Spannung Ihres Ladegeräts der Ihres Netzes entspricht



Gefahr – Elektroartikel



Entsorgen Sie Elektrowerkzeug in Übereinstimmung mit den Umweltgesetzen



Benötigt T2A Sicherung



CE: Entspricht den EG-Richtlinien



GS: Entspricht dem deutschen Produktsicherheitsgesetz

## Wartung

Jede Wartung erfordert Spezialwerkzeuge und Spezialkenntnisse und sollte nur von unseren qualifizierten Tacwise Servicetechnikern oder dem von uns beauftragten Servicemitarbeiter durchgeführt werden. Wir empfehlen dringend, das Hauptgehäuse des Werkzeugs nicht zu öffnen, da diese Maßnahme zu Verletzungen führen und die Garantie des Werkzeugs beeinträchtigen können.

## Nutzungshinweise

1. Betreiben Sie das Werkzeug in Arbeitsgängen von 15 Minuten, um zu vermeiden, dass Werkzeug und Akku überhitzen.
2. Es wird empfohlen, dass Sie im Dauerbetrieb nicht mehr als 200 Befestigungselemente abfeuern.
3. Lassen Sie den Akku vor dem Aufladen abkühlen, um eine optimale Leistung zu erhalten.

## Merkmale (Abb. A)

Ihre 18 V kabellose 2 in 1 Klammer-/Nagelpistole wurde konzipiert, um Befestigungselemente in hölzerne Werkstücke zu treiben.

1. Abzug
2. Akkufreigabetaste
3. Akkupack
4. LED-Beleuchtungsschalter
5. Gürtelhaken
6. Einzel-/Kontakt-Auslöseschalter
7. Ersatz-Nasenprotektor
8. Magazin
9. LED-Anzeige
10. LED-Leuchte
11. Sicherheitskontaktstift mit Nasenprotektor
12. Tiefeneinstellungsrad

## Aufladen des Akkus

**Verwenden Sie nur das Ladegerät, das mit dem Produkt geliefert wird.** Nur das Ladegerät, das auf den Lithium-Ionen-Akku abgestimmt ist, sollte mit Ihrer Maschine verwendet werden.

- Geben Sie das Akkupack in das Ladegerät, wobei Sie die Kontakte ausrichten. Drücken Sie den Akku, bis er einrastet. Stecken Sie das Ladegerät in eine Steckdose. Die Kontrollleuchte am Ladegerät leuchtet rot (Akku wird geladen).
- Wenn der Akku vollständig aufgeladen ist (ca. nach 1 - 1,5 Std.) wird die Anzeige auf dem Ladegerät grün.
- Der Akku ist nun einsatzbereit. Ziehen Sie das Ladegerät aus der Steckdose und entfernen Sie den Akku aus dem Ladegerät.

**HINWEIS:** Der Akku ist bei der Lieferung teilweise geladen. Um die volle Akkuleistung zu gewährleisten, laden Sie den Akku im Ladegerät vollständig auf, bevor Sie Ihr Elektrowerkzeug zum ersten Mal verwenden. Der Lithium-Ionen-Akku kann jederzeit aufgeladen werden, ohne dadurch die Nutzungsdauer zu beeinträchtigen. Durch das Unterbrechen des Ladevorgangs wird der Akku nicht beschädigt. Ein Akku entwickelt erst nach ca. 5 Lade-/Entladezyklen ihre volle Kapazität.

Der Akku ist mit einer NTC-Temperaturregelung ausgestattet, die das Laden nur in einem Temperaturbereich zwischen 0° C und 40° C gestattet. Auf diese Weise wird eine lange Akkulebensdauer erreicht. Beachten Sie die Hinweise zur „Akkueinstellung“.

## LED-Anzeigen des Akkuladegeräts

- Rote LED ein = Ladezustand gering/Akku wird aufgeladen.
- Grüne LED ein = Akku voll aufgeladen.

## LED-Funktionsweise des Werkzeugs

- Rote LED = Akku schwach.
- Rote LED blinkt = Klammern/Nägeln sind verklemmt oder das Ladegerät ist zu heiß.
- Grüne LED ein = keine Klammern/Nägeln geladen, Elektrowerkzeug im Leerschussmodus.
- Grüne LED blinkt = Elektrowerkzeug im Überhitzungsschutzmodus. Das Elektrowerkzeug kann nicht abgefeuert werden, lassen Sie es abkühlen, bevor Sie erneut feuern.

## Laden/Entfernen des Akkus (Abb. B)

Zum Laden schieben Sie den Akku in das Akkugehäuse, bis er einrastet. Drücken Sie die Akkuentriegelungstaste (2) und ziehen Sie den Akku nach oben und ganz nach hinten heraus.

## Überprüfen Sie den Kontaktauslösemechanismus

- Entfernen Sie alle Nägel/Klammern aus dem Magazin (8).
- Drücken Sie die Sicherheitsnase/den Kontaktstift und ziehen Sie den Abzug. Die Sicherheitsnase/der Kontaktstift und der Abzug sollten sich frei bewegen lassen.
- Laden Sie die Nägel/Klammern wieder in das Magazin (8).
- Verwenden Sie das Elektrowerkzeug nicht, wenn sich die Sicherheitsnase/der Kontaktstift nicht frei bewegen lässt.
- Setzen Sie den Sicherheitskontaktstift auf das Werkstück und drücken Sie das Elektrowerkzeug in das Werkstück hinein, ohne den Abzug zu betätigen, das Elektrowerkzeug sollte nicht feuern. Heben Sie das Elektrowerkzeug vom Werkstück ab und der Kontaktstift sollte automatisch zurückspringen.
- Ziehen Sie den Abzug, das Elektrowerkzeug sollte nicht feuern.

### Laden des Werkzeugs mit Klammern/Nägeln (Abb. C)

- Entfernen Sie den Akku aus dem Werkzeug
- Drücken Sie die Auslösetaste (2) und ziehen Sie die Magazinabdeckung heraus.
- Neigen Sie das Werkzeug und legen Sie die Nägel/Heftklammern in die Schiene des Magazinkanals.

**HINWEIS:** Stellen Sie sicher, dass die Befestigungselemente richtig eingesetzt sind.

- Die Nägel werden gegen die profilierte Seite der Schiene platziert, wobei die Nagelköpfe vom Körper des Werkzeugs weg ausgerichtet sind.
- Die Klammern werden auf der profilierten Seite der Schiene platziert. Die Krone der Klammern sollte sich im obersten Teil des Magazins befinden (Beine der Klammern sind vom Werkzeuggehäuse weg gerichtet).
- Schieben Sie das Magazin (8) wieder an seinen Platz, bis die Freigabesicherung einrastet, und das Magazin sperrt.
- Schließen Sie den Akkupack wieder an das Werkzeug an.

**HINWEIS:** Laden Sie keine Befestigungselemente unterschiedlicher Länge. Laden Sie keine Klammern und Nägel gleichzeitig.

**HINWEIS:** Wir empfehlen Ihnen dringend, nur original von Tacwise zugelassene Klammern und Nägel zu verwenden.

### Entladen des Werkzeugs

- Halten Sie die Freigabesicherung auf der Seite des Magazins (8) gedrückt und schieben Sie es heraus.
- Nehmen Sie den Klammer-/Nagelstreifen aus dem Magazin.

**HINWEIS:** Seien Sie vorsichtig, wenn Sie das Magazin zum Schließen zurückschieben. Wenden Sie keine übermäßige Kraft auf, sonst könnte der Magazinschieber beschädigt werden und es besteht die Gefahr, dass sich Ihre Finger verfangen oder eingeklemmt werden.

### Ersatz Nichtmarkierung der Nase/Auslöseprotector

Dieses Werkzeug wird mit einem abnehmbaren Gummischutz der Nasen geliefert, der verhindert, dass das Werkzeug die Oberfläche des Werkstücks markiert. Dieses Werkzeug ist so konzipiert, dass es sowohl mit als auch ohne Gummischutz der Nase in Übereinstimmung mit der Anwendung benutzt werden kann. Der Nasenprotector kann entfernt und ersetzt werden.

- Bevor Sie den Nasenprotector entfernen oder austauschen trennen Sie das Gerät von der Stromquelle und entnehmen Sie die Befestigungselemente.
- Ziehen Sie den Nasenprotector aus dem Arbeitskontaktelement.
- Zum Wechseln schieben Sie den neuen Nasenprotector über das funktionierende Kontaktelement zurück.

**HINWEIS:** Ein Ersatz-Nasenprotector befindet sich an der Seite/Rückseite des Magazins (8). Um zusätzliche Nasenprotectoren zu bestellen, wenden Sie sich bitte an Ihren gewohnten Lieferanten mit dem Angebotscode: 1513

**Wichtig.** Die Wahl der Abschussmethode ist wichtig, schauen Sie sich unten die Abschussoptionen an.

### Einzelfeuermodus (Abb. D 1)

Gut für die Präzisionsplatzierung.

- Halten Sie den Griff des Elektrowerkzeugs mit dem Magazin im 90°-Winkel zum Werkstück gut fest.
- Drücken Sie den Einzel/Kontakt-Abzugsschalter nach links. Der Einzelfeuermodus ist jetzt aktiviert.
- Drücken Sie den Sicherheitskontaktstift (10) in das Werkstück.
- Drücken Sie den Abzug, um die Klammer/den Nagel abzufeuern.

- Lassen Sie den Abzug und den Sicherheitskontaktstift nach dem Abfeuern los.

**HINWEIS:** Der Sicherheitskontaktstift muss gedrückt werden, bevor der Abzug gedrückt wird.

### Kontaktfeuermodus (Abb. D 2)

Gut für schnelles und bequemes Abfeuern.

- Halten Sie den Griff des Elektrowerkzeugs mit dem Magazin im 90°-Winkel zum Werkstück gut fest.
- Drücken Sie den Einzel/Kontakt-Abzugsschalter nach rechts und der Kontaktfeuermodus ist jetzt aktiviert.
- Drücken Sie den Abzug, halten Sie ihn weiterhin gedrückt und lassen Sie ihn nicht los.
- Drücken Sie den Sicherheitskontaktstift gegen das Werkstück, um die Klammer/den Nagel abzufeuern.
- Drücken Sie den Abzug weiterhin, heben Sie das Elektrowerkzeug vom Werkstück ab, um den Sicherheitskontaktstift nach dem Abfeuern freizugeben.
- Drücken Sie den Sicherheitskontaktstift auf das Werkstück, um mit dem Abfeuern zu beginnen.

**HINWEIS:** Der Auslöser muss die ganze Zeit während der Sicherheitskontaktstift gedrückt ist gedrückt gehalten werden. Um ein versehentliches Abfeuern zu verhindern, halten Sie den Abzug nicht gedrückt, wenn das Elektrowerkzeug nicht in Gebrauch ist.

### Einstellen der Tiefe (Abb. E)

Die Eindringtiefe der Nägel kann mit dem Tiefeneinstellrad (12) eingestellt werden.

- **Die Nägel werden nicht tief genug eingetrieben:** Um die Eindringtiefe zu erhöhen, drehen Sie das Tiefeneinstellrad nach links.  
oder
- **Die Nägel werden zu tief eingetrieben:** Um die Eindringtiefe zu verringern, drehen Sie das Tiefeneinstellrad nach rechts.
- Testen Sie die neue Eindringtiefe an einem Testwerkstück. Wiederholen Sie die oben genannten Schritte nach Bedarf.

### Beheben von Verklemmungen (Abb. F)

**HINWEIS:** Bevor Sie das Werkzeug wieder verwenden können, müssen Sie verklemmte Klammern oder Nägel entfernen. Wenn Sie weiterhin versuchen, ein Befestigungselement abzufeuern, während das Werkzeug blockiert ist, könnten Sie den Mechanismus beschädigen.

- Kippen Sie das Werkzeug und entfernen Sie alle unbenutzten Klammern/Nägel aus dem Magazinkanal, dies sollte die verklemmten Befestigungselemente beseitigen.
- Wenn nach Befolgen der obigen Anweisungen die Befestigungselemente verklemmt bleiben. Lösen Sie die 4 Sechskantschrauben auf der Mundstückplatte mit dem mitgelieferten Schraubenschlüssel und entfernen Sie die Platte. Legen Sie die Sechskantschrauben beiseite.
- Wiederholen Sie dies bei der zweiten Mundstückplatte und entfernen Sie diese ebenfalls. Legen Sie diese Sechskantschrauben beiseite. **Hinweis:** Die Sechskantschrauben für die zweite Platte haben eine andere Größe als die Sechskantschrauben für die obere Platte, also halten Sie sie getrennt.
- Wenn beide Nasenplatten entfernt sind, sehen Sie das (die) verklemmte(n) Befestigungselement(e). Entfernen Sie sie bei Bedarf mit einer Zange.
- Bringen Sie die Mundstückplatten erneut an und ziehen Sie die Sechskantschrauben wieder fest, ohne sie zu überdrehen.
- Füllen Sie das Magazin nach.

- Feuern Sie zu Prüfzwecken ein paar Befestigungselemente ab, um sicherzustellen, dass das Werkzeug ordnungsgemäß funktioniert.

**HINWEIS:** Wenn sich Klammern oder Nägel häufig im Mundstück verklemmen, lassen Sie das Werkzeug von einem unserer Tacwise Ingenieure oder einem beauftragten Servicemitarbeiter warten.

## Wartung

Ihr Tacwise Elektrowerkzeug wurde so konzipiert, dass es über einen langen Zeitraum mit minimaler Wartung funktioniert. Ein dauerhaft zufriedenstellender Gebrauch hängt von richtiger Werkzeughaltung und regelmäßiger Reinigung ab. Sollte das Gerät trotz sorgfältiger Herstellung und Prüfung ausfallen, muss die Reparatur von einem Tacwise Servicetechniker oder einem beauftragten Servicetechniker durchgeführt werden. Bitte geben Sie bei jeder Korrespondenz und Ersatzteilbestellung immer die auf dem Gerät angegebene Seriennummer an.

## Reinigung

- Entfernen Sie den Akku, bevor Sie das Gehäuse mit einem weichen Tuch reinigen.
- Halten Sie die Lüftungsschlitze frei und reinigen Sie sie regelmäßig.
- Reinigung des Magazins (8). Entfernen Sie alle Ablagerungen, die sich während des Betriebs im Magazin ansammeln können.

## Schmierung

Dieses Werkzeug benötigt keine Schmierung. Schmier Sie das Werkzeug nicht, da dies die Innenteile beschädigen wird.

## Produktberatung und technischer Support

Was tun, wenn Sie ein Problem mit Ihrem Tacwise Elektrowerkzeug haben? Senden Sie eine E-Mail an [service@tacwise.com](mailto:service@tacwise.com).

## Transport

Die enthaltenen Lithium-Ionen-Akkus unterliegen den Vorschriften der Gefahrgutverordnung. Der Benutzer kann die Akkus ohne weitere Auflagen auf der Straße befördern.

Bei Transporten durch Dritte (z.B. Lufttransport oder Spedition) sind die besonderen Vorschriften auf Verpackung und Etiketten zu beachten. Um den Artikel für den Transport vorzubereiten, ist ein Experte für Gefahrgut hinzuziehen. Versenden Sie Akkus nur, wenn das Gehäuse unbeschädigt ist. Kleben Sie offene Kontakte ab oder verdecken Sie sie und packen Sie den Akku so ein, dass er sich in der Verpackung nicht bewegen kann. Bitte beachten Sie auch mögliche ausführlichere nationale Vorschriften.

**Tacwise Recycling Service** - für den Kunden und die Umwelt.

## Unerwünschte Werkzeuge

Recyclen Sie unerwünschte Materialien, anstatt sie als Abfall zu entsorgen. Alle Werkzeuge und Verpackungen sollten sortiert, zur örtlichen Wiederaufbereitungsanlage gebracht und umweltgerecht entsorgt werden. Alternativ senden Sie bitte eine E-Mail an [service@tacwise.com](mailto:service@tacwise.com), um Einzelheiten zur kostenlosen und umweltfreundlichen Entsorgung Ihres Tacwise Elektrowerkzeugs zu erfahren.

## Akkusentsorgung

Befolgen Sie die Anweisungen Ihrer örtlichen Behörde für die Entsorgung von Lithium-Ionen-Akkus.

## Garantie

Alle Tacwise Elektrowerkzeuge werden sorgfältig geprüft, getestet und unterliegen den strengen Kontrollen der Qualitätssicherung. Tacwise bietet daher auf Tacwise Elektrowerkzeuge die folgende Garantie. Ihr Gewährleistungsanspruch im Rahmen Ihres Kaufvertrags mit dem Händler, einschließlich Ihrer gesetzlichen Rechte, bleiben von dieser Garantie unberührt.

## Einmonatige Garantie

Wenn Sie mit der Leistung Ihres Tacwise Elektrowerkzeugs nicht vollständig zufrieden sind oder es beim Kauf defekt oder beschädigt ist, tauschen wir das Produkt um oder geben Ihnen innerhalb von 28 Tagen nach Kauf eine vollständige Rückerstattung. Der Kaufbeleg muss mit einer Originalquittung vorgelegt werden und das Werkzeug muss vollständig und so wie gekauft an die Verkaufsstelle zurückgegeben werden. Ihre gesetzlichen Rechte bleiben davon unberührt.

## Ein Jahr kostenlose Wartung

Wenn Ihr Tacwise Elektrowerkzeug in den 12 Monaten nach dem Kauf gewartet oder instandgesetzt werden muss, wird dies von einem Tacwise Servicetechniker kostenlos durchgeführt. Der Kaufbeleg muss mit einer Originalquittung vorgelegt werden. Dazu gehören auch Arbeitsleistung und Ersatzteile für das Werkzeug. Jedoch dürfte in einigen Fällen wahrscheinlich die wirtschaftlichste Option sein, den von Tacwise angebotenen Austauschservice in Anspruch zu nehmen. Zubehör wie Akkus, Befestigungselemente usw. sind ausgeschlossen.

## Zweijährige Standardgarantie

Sollte Ihr Tacwise Elektrowerkzeug innerhalb von 24 Monaten ab Kaufdatum aufgrund von Material- oder Verarbeitungsfehlern defekt werden, garantieren wir Ihnen, alle defekten Teile kostenlos zu ersetzen oder nach unserem Ermessen das Werkzeug kostenlos umzutauschen. Diese Garantie gilt nicht für:

- Werkzeuge, die unbefugt geändert oder ergänzt wurden.
- Mängel, die durch die Verwendung von Zubehör, Komponenten oder Ersatzteilen verursacht wurden, die keine originalen Tacwise Zubehör- oder Ersatzteile sind und von Tacwise nicht zugelassen sind.
- Bauteile, die durch die Verwendung gemäß unserer Betriebsanleitung einem natürlichen Verschleiß unterliegen.
- Defekte am Werkzeug, die durch unsachgemäßen Gebrauch, abnormale Umgebungsbedingungen oder ungeeignete Betriebsbedingungen, Nichtbeachtung unserer Betriebsanleitung oder unzureichende Wartung oder Instandhaltung verursacht wurden.
- Der Kaufbeleg muss mit einer Originalquittung vorgelegt werden.

Für Details zu Ihrem nächstgelegenen Tacwise Servicetechniker senden Sie bitte eine E-Mail an [service@tacwise.com](mailto:service@tacwise.com), oder um Ihre Garantie zu registrieren besuchen Sie [www.tacwise.com/warranty-registration](http://www.tacwise.com/warranty-registration).

**ES Clavadora/grapadora sin cables 2 en 1, 18 V Ranger EL-PRO**

**¡Enhorabuena!**

Por la compra de su herramienta eléctrica Tacwise. Obtendrá un rendimiento

satisfactorio durante mucho tiempo si se utiliza de acuerdo con nuestras instrucciones de seguridad y funcionamiento.

**Guarde este manual para su consulta en el futuro**

**Información técnica**

Herramienta	Grapadora/Clavadora 18 V
Tipo de modelo	EL-PRO
Voltaje de entrada	18 V <sup>CC</sup> 2.000 mAh
Nivel de presión sonora ponderado A	79,9 dB (A)
Nivel de presión sonora ponderado A	90,9 dB (A)
Nivel de emisión de vibraciones *	1,39 m/s <sup>2</sup>
Tipo de grapa	Grapas 91 Tacwise
Longitud de la grapa	19-40 mm
Tipo de clavo	Clavos 180 y 18G Tacwise
Longitud del clavo	12 - 50 mm
Máxima velocidad de disparo	60 grapas o clavos por minuto
Capacidad del cargador	100 grapas/clavos
Distancia mínima de clavado desde la pared	20 mm
Duración del funcionamiento continuo por carga con una batería de 2 Ah	400 grapas/clavos
Peso (con batería)	3 kg
<b>Batería</b>	Código de repetición del pedido <b>1514</b>
Tipo de batería	Ion de litio
Voltaje	18 V
Capacidad	2 Ah
Peso	0,35 kg
<b>Cargador</b>	
Voltaje de alimentación VCA	100-240 V
Tipo de batería	Ion de litio
Tiempo de carga	1-1,5 horas aproximadamente.
Peso	0,34 kg
<b>Fusibles en cargador</b>	Herramientas de 230 V 13 amperios

\* El nivel de vibraciones declarado corresponde a las principales aplicaciones de la herramienta. No obstante, si la herramienta se utiliza para diferentes aplicaciones, con diferentes accesorios o mantenimiento insuficiente, el nivel vibratorio puede diferir. Esto puede aumentar significativamente el nivel de exposición durante el periodo total de trabajo.

**Declaración de conformidad – CE**  
**Grapadora/Clavadora sin cables 18 V**



Tacwise declara que esta herramienta ha sido diseñada de conformidad con los reglamentos y normas de las directivas europeas.

Departamento de Calidad, Tacwise Group Plc – Reino Unido

**ADVERTENCIA: Lea detenidamente todas las instrucciones antes de usar la herramienta.**

Si no lo hace, podrían producirse descargas eléctricas, incendios y/o lesiones graves a las personas. El término “herramienta eléctrica” en todas las advertencias incluidas a continuación se refiere a su herramienta eléctrica con batería (sin cable). Para cualquier consulta relativa a cuestiones de seguridad de esta herramienta, envíe un correo electrónico a [service@tacwise.com](mailto:service@tacwise.com).

**Desembalaje**

- Retire con cuidado la herramienta y accesorios de la caja.
- Inspeccione la herramienta con cuidado para asegurarse de que no se hayan producido roturas ni daños durante el transporte.
- Si alguna pieza está dañada o no la encuentra, puede enviarnos un correo electrónico a [service@tacwise.com](mailto:service@tacwise.com) para solicitar asistencia. No use esta herramienta hasta que se sustituyan las piezas que faltan o están dañadas. No hacerlo podría resultar en lesiones graves.
- Aunque hemos hecho todo lo posible por garantizar la exactitud de la información en este manual, la política de Tacwise es de mejora continua de nuestros productos y, como tal, nos reservamos el derecho a cambiar la especificación del producto sin previo aviso.

**Instrucciones generales de seguridad importantes.**

Tacwise recomienda no modificar ni usar esta herramienta para ninguna otra finalidad distinta aquella para la que fue diseñada. Cualquier alteración o modificación se considera un uso incorrecto y podría dar lugar a una situación peligrosa y causar lesiones. Si no está seguro de su uso, no dude en contactar con nosotros y le asesoraremos.

**Área de trabajo**

- **Mantenga su área de trabajo limpia y bien iluminada.** Los bancos de trabajo desordenados y las zonas oscuras propician los accidentes.
- **Mantenga alejados a niños y mascotas.** Todos los visitantes deben mantenerse a una distancia prudencial del área de trabajo.
- **Evite los entornos peligrosos.** No utilice herramientas eléctricas en lugares húmedos o mojados, ni las exponga a la lluvia. Proporcione un espacio adecuado alrededor del área de trabajo. No use la herramienta en ambientes con atmósferas potencialmente explosivas, como en presencia de líquidos inflamables, gases o polvo. Las herramientas eléctricas producen chispas que pueden incendiar el polvo o los vapores.
- **Trabajo seguro.** Utilice abrazaderas o un tornillo de banco para sujetar la pieza. Esto libera ambas manos para usar la herramienta.

**Seguridad personal**

- **Manténgase alerta.** Observe siempre lo que está haciendo y use el sentido común. No use nunca una herramienta eléctrica cuando esté cansado o bajo la influencia de medicamentos, alcohol o drogas.
- **Use ropa adecuada.** No use ropa suelta o joyas que puedan quedar atrapadas en las partes móviles. Se recomienda usar calzado antideslizante. Recójase el cabello largo y súbbase las mangas largas por encima del codo.



- **No intente sobrepasar los límites ni usar superficies inestables.** Coloque los pies adecuadamente y mantenga el equilibrio en todo momento.
- **Use un equipo de seguridad.** Las mascarillas antipolvo, zapatos de seguridad antideslizantes, cascos o protecciones auditivas deben utilizarse en condiciones adecuadas. Use gafas de seguridad con homologación CE en todo momento. Las gafas normales sólo tienen lentes resistentes al impacto. NO son gafas de seguridad.

## Seguridad eléctrica

- **Desconecte la alimentación eléctrica de la herramienta.** Cuando no esté en uso, antes del mantenimiento o cuando cambie accesorios como grapas/clavos, etc.
- No exponga las herramientas eléctricas a la lluvia o a condiciones de humedad.
- **El enchufe del cable de alimentación debe de corresponder con su toma de corriente. No utilice enchufes adaptadores con las herramientas eléctricas conectadas a tierra. Utilice un enchufe no modificado que corresponda a su toma de corriente reducirá el riesgo de descarga eléctrica.**
- **Protéjase de las descargas eléctricas.** Cuando trabaje con herramientas eléctricas, evite el contacto con las superficies conectadas a tierra como tuberías, radiadores, fogones y neveras.
- **No use incorrectamente el cable.** No sujete el cargador por el cable ni tire de él con fuerza de la toma de corriente. Mantenga el cable alejado del calor, aceites, bordes afilados o piezas móviles. Los cables dañados o enredados pueden causar un incendio o aumentar el riesgo de descarga eléctrica.

## Uso y cuidados de la herramienta eléctrica

- **No fuerce la herramienta eléctrica.** Utilice la herramienta eléctrica correcta para su tarea. Hará el trabajo de forma óptima y más segura a la velocidad para la que fue diseñada.
- **Desconecte la herramienta de la fuente de alimentación antes de realizar cualquier ajuste, cambiar accesorios o guardarla.** Dichas medidas preventivas de seguridad reducen el riesgo de poner en marcha la herramienta accidentalmente.
- **No modifique ni haga un mal uso de la herramienta eléctrica.** El uso de la herramienta eléctrica en tareas distintas a las previstas podría dar lugar a una situación peligrosa.
- **NO use la herramienta si hay clavos atascados.** Esto puede causar daños a la hoja de accionamiento y podría provocar accidentes.
- **Mantenga los dedos alejados del gatillo** hasta que este esté listo para grapar/clavar.
- **No utilice la herramienta en superficies duras como rocas, hormigón, mampostería, ladrillo o acero.** Podrían producirse lesiones personales o daños a la herramienta eléctrica.
- **Trabajo seguro.** Utilice abrazaderas u otros elementos de fijación para asegurar y apoyar la pieza de trabajo sobre una plataforma estable. La sujeción de la pieza con la mano o contra su cuerpo puede ser inestable y puede conducir a la pérdida de control.
- **Herramientas eléctricas almacenadas.** Cuando no estén en uso, todas las herramientas eléctricas deben guardarse en un armario sin humedad, bajo llave y fuera del alcance de los niños y otras personas no cualificadas.
- **Compruebe si hay piezas dañadas.** Compruebe si hay desalineamiento o flexión en las piezas móviles, piezas rotas y cualquier otra situación que pueda afectar al funcionamiento de la herramienta eléctrica. Si está dañada, deje de usarla inmediatamente y asegúrese de repararla antes de utilizarla nuevamente. Las herramientas eléctricas que han recibido un mantenimiento inadecuado pueden provocar accidentes.

- **Realice un mantenimiento adecuado de las herramientas eléctricas.** Mantenga las herramientas eléctricas limpias para un mejor y más seguro rendimiento. Todos cables deben comprobarse periódicamente y sustituirse si están dañados.
- **Accesorios recomendados.** Utilice únicamente accesorios recomendados para su modelo por el fabricante de la herramienta. Los accesorios adecuados que pueden ser adecuados para una herramienta pueden crear un riesgo de lesiones cuando se utilizan en otra herramienta distinta.
- **Mantenga la herramienta y su mango secos, limpios y libres de aceite y grasa.** Utilice siempre un paño limpio durante la limpieza. Nunca utilice fluidos para frenos, gasolina, productos derivados del petróleo o disolventes fuertes para limpiar su herramienta eléctrica. Si sigue esta norma, reducirá el riesgo de pérdida de control y deterioro de la carcasa de la herramienta eléctrica.
- **Tenga cuidado con los riesgos ocultos.** Asegúrese siempre de que no haya peligro de golpear cables de alimentación ocultos, tuberías de agua o gas.

## Uso y cuidados de la herramienta eléctrica

- **Use solo el cargador indicado por el fabricante.** El uso de una batería incorrecta con el cargador puede generar un riesgo de incendio.
- Utilice solo las baterías indicadas para la herramienta correcta. El uso de una batería incorrecta con la herramienta puede generar un riesgo de incendio.
- **Mantenga la batería alejada de otros objetos metálicos como llaves, monedas, clavos, tornillos, pinzas, etc., cuando no la use. Los pequeños objetos metálicos, como los mencionados, podrían crear una conexión a través de los bornes, produciendo un cortocircuito que podría crear un incendio.**
- **Puede haber fugas de líquido de la batería en condiciones abusivas. Evite el contacto.** Si la piel entra en contacto accidentalmente con el fluido, enjuáguese con agua. Si el líquido entra en contacto con los ojos, solicite ayuda médica. El líquido expulsado de una batería dañada puede causar irritación o quemaduras.

## Instrucciones de seguridad específicas

- **Asuma siempre asuma que la herramienta está cargada con las fijaciones.** La manipulación de la herramienta sin cuidado podría ocasionar un disparo inesperado de las fijaciones y causar lesiones personales.
- **Use solo las grapas o clavos indicados en el manual.** El uso de accesorios no diseñados para esta herramienta puede provocar lesiones personales y/o daños a la herramienta eléctrica.
- **No toque ninguna pieza del cartucho o punta de la herramienta eléctrica durante el funcionamiento.** Sostenga la herramienta solo por la empuñadura o la carcasa.
- **No active la herramienta eléctrica a menos que esta esté en contacto con la pieza de trabajo.** Si pulsa el bloqueo de seguridad de la punta, lo toca con sus dedos por error o usa la herramienta de forma inadecuada, podrían producirse lesiones graves.
- **Fijación de elementos de poco espesor.** Debe tenerse especial cuidado a la hora de perforar elementos de poco espesor, ya que esto podría causar daños a las personas o a objetos situados detrás de la pieza o en zonas próximas.
- **Nunca utilice la herramienta como martillo.** El impacto repentino podría cambiar los componentes internos de la herramienta, dando como resultado una descarga de la fijación y producir lesiones.

- **Cuando se haya completado la fijación**, asegúrese siempre de que la herramienta esté desconectada de la fuente de alimentación o batería antes de retirar el cartucho.
- **No desmonte ni bloquee ninguna de las piezas que accionan las fijaciones.**
- **Antes de cada uso.** Antes de cada uso, verifique que el seguro y el mecanismo de disparo funcionen correctamente y que estén apretados todos los tornillos y tuercas.
- **Nunca apunte con ninguna herramienta eléctrica hacia sí mismo ni hacia ninguna otra persona.** Durante el trabajo, sujete la herramienta de tal manera que no se produzcan lesiones en la cabeza o cuerpo en caso de posible retroceso.
- **No use nunca la herramienta eléctrica en un espacio sin obstáculos o hacia el aire.**
- **No dispare las sujeciones una encima de la otra.**
- **Si una grapa o clavo se atasca, desconecte la batería de la herramienta.** Al retirar una fijación atascada, la herramienta puede activarse accidentalmente si la batería está conectada.
- **Tenga cuidado al quitar una fijación atascada.** El mecanismo puede estar sometido a compresión y una fijación atascada puede descargarse al intentar liberarlo.
- **No utilice esta herramienta para sujetar cables eléctricos.** Esta herramienta no está diseñada para la instalación de cableado eléctrico y podría dañarlos y causar lesiones por descarga eléctrica o riesgos de incendio.
- **Utilice detectores adecuados para saber si hay alguna línea de servicios (electricidad, gas o agua) oculta en el área de trabajo o llame a su compañía local de servicios para solicitar asistencia.** En caso de daño en las líneas eléctricas, podría producirse un incendio y una descarga eléctrica. Las líneas de gas dañadas podrían provocar explosiones. Perforar una tubería de agua puede causar daños a la propiedad.
- **Cuando utilice la herramienta eléctrica, sosténgala de tal manera que el cabezal y/o el cuerpo no puedan ser dañados por un retroceso repentino de la herramienta debido a un mal funcionamiento de la batería o a objetos en el área de trabajo.**
- **No intente abrir la batería.** Hay riesgo de cortocircuito.
- **Proteja la batería del calor (luz solar intensa y continua), fuego, agua y humedad.** Existe un peligro de explosión.
- **Una batería dañada o usada de forma inapropiada puede emitir vapores.** Ventile el área y busque asistencia médica si es necesario. Los vapores pueden irritar el sistema respiratorio.
- **Utilice la batería solo con la herramienta eléctrica Tacwise.** Esto la protegerá contra las sobrecargas.
- **Utilice solo baterías Tacwise originales, con el voltaje indicado en la etiqueta de especificación de la herramienta eléctrica.** Puede haber peligro de lesiones, así como daños a la propiedad debido a explosiones de baterías que sean imitaciones, se hayan reacondicionado o sean de otras marcas.
- **El motor eléctrico ha sido diseñado para una única tensión.** Compruebe siempre que el voltaje de la batería corresponde a la tensión de la placa de características técnicas. Asegúrese también de que el voltaje de su cargador corresponde al voltaje de su red eléctrica.

## Modelo y Nº de serie

El nombre del modelo de esta herramienta se encuentra en una etiqueta ubicada en el canal del cargador de la herramienta y el número de serie se encuentra en el cuerpo de la herramienta que aloja la batería. Anote el nombre del modelo y serie en el espacio indicado a continuación. Proporcione siempre la siguiente información cuando se ponga en contacto con nosotros:

NOMBRE DEL MODELO .....

NÚMERO DE SERIE .....

## Descripción de la etiqueta de la herramienta eléctrica



Observe siempre las instrucciones y advertencias de seguridad

## Descripción de la etiqueta en el paquete de baterías



Lea el manual de instrucciones antes de usar la herramienta



No cargue las baterías dañadas



No incinere la batería



Sólo cargue a temperaturas entre 5° y 45°C



Reciclable



Elimine la herramienta eléctrica de acuerdo con la legislación medioambiental



CE: Cumple las directivas CE

## Descripción de la etiqueta del cargador de la batería



Lea el manual de instrucciones antes de usar la herramienta



Use la herramienta solo en interiores



Seguridad eléctrica: asegúrese de que el voltaje de su cargador corresponda al de su red eléctrica



Peligro: equipo eléctrico



Elimine el equipo eléctrico con arreglo a la legislación ambiental



Usa un fusible T2A



CE: Cumple las directivas CE



GS: Cumple la Ley alemana sobre seguridad de productos

## Mantenimiento

Cualquier servicio técnico requiere conocimientos y herramientas especializadas y debe ser realizado por un servicio técnico de Tacwise cualificado o un agente del servicio técnico designado. Le recomendamos encarecidamente que no abra la cubierta principal de la herramienta, ya que esto puede producir lesiones y comprometer la garantía de la herramienta.

## Avisos de uso

1. Utilice la herramienta en ciclos de 15 minutos para evitar que esta y la batería se sobrecalienten.
2. Se recomienda no disparar más de 200 fijaciones de forma continuada.
3. Deje que la batería se enfríe antes de cargarla para lograr un rendimiento óptimo.

## Características (Fig. A)

Su grapadora/clavadora 2 en 1 de 18 V ha sido diseñada para usar en piezas con piezas de madera.

1. Gatillo
2. Botón desbloqueador de la batería
3. Batería
4. Interruptor de iluminación LED
5. Gancho de cinta
6. Interruptor de disparo único/por contacto
7. Protector de punta de repuesto
8. Cartucho
9. Indicador LED
10. Luces LED
11. Pin de contacto de seguridad con protector de punta
12. Rueda de ajuste de profundidad

## Carga de la batería

**Utilice sólo el cargador de baterías suministrado con el producto.** El equipo solo puede usarse con un cargador de baterías compatible con baterías de iones de litio.

- Inserte la batería en el cargador, alineando los contactos. Empuje la batería hasta que encaje en su sitio. Conecte el cargador a una toma de corriente. La luz indicadora del cargador en color rojo indica que la batería se está cargando.
- Cuando la batería está completamente cargada (entre 1 y 1,5 h, aprox.) el indicador se iluminará en color verde.
- La batería ya está lista para usarse. Retire el cargador de la toma de corriente y extraiga la batería del cargador.

**NOTA:** La batería se suministra parcialmente cargada. Para garantizar la plena capacidad de la batería, cárguela completamente con el cargador antes de utilizar la herramienta por primera vez. La batería de iones de litio se puede cargar en cualquier momento sin reducir su vida útil. La interrupción del procedimiento de carga no daña la batería. Una batería no desarrolla toda su capacidad hasta después de aproximadamente 5 ciclos de carga/descarga.

La batería está equipada con un control de temperatura NTC, que permite cargarla en un rango de temperatura de entre 0° y 40° C. De esta forma se consigue una larga vida útil de la batería. Observe las notas sobre "eliminación de la batería".

## Funciones LED de la batería

- Luz LED roja encendida = cargándose/batería baja.
- Luz LED verde encendida = batería completamente cargada .

## Funciones LED de la herramienta

- Luz LED roja encendida = batería baja.
- Luz LED roja parpadeando: las grapas o los clavos están atascados o el cargador está demasiado caliente.
- Luz LED verde encendida = no haya grapas o clavos cargados en modo de protección contra incendios en seco.
- Luz LED verde parpadeando = La herramienta eléctrica está en modo de protección contra sobrecalentamientos. La herramienta eléctrica no se separará, deje que se enfríe antes de volver a disparar.

## Carga/extracción de la batería (Fig. B)

Para cargar, deslice la batería hacia abajo en la carcasa de la batería hasta que haga clic. Presione el botón de liberación de la batería (2) y tire de la batería hacia arriba y hacia afuera completamente, hacia la parte trasera.

## Comprobación del mecanismo de contacto

- Asegúrese de quitar todos los clavos o grapas del cartucho (8).
- Presione el pin de seguridad de la punta de contacto y apriete el gatillo. El pin de seguridad de la punta y el gatillo deben moverse libremente.
- Vuelva a cargar los clavos o grapas en el cartucho.
- No utilice la herramienta eléctrica si el pin de seguridad de la punta de contacto no se mueve libremente.
- Coloque el pin de contacto sobre la pieza de trabajo y presione la herramienta sobre la pieza sin apretar el gatillo. La herramienta eléctrica no debe dispararse. Levante la herramienta de la pieza de trabajo y el pin de contacto deberá retroceder automáticamente.
- Al apretar el gatillo, la herramienta eléctrica no debe disparar.

## Carga de la herramienta con grapas o clavos (Fig. C)

- Retire la batería de la herramienta
- Pulse el botón de liberación (2) y extraiga la cubierta del cargador.
- Incline la herramienta y coloque las grapas o los clavos en la pista del canal del cargador.

**NOTA:** Asegúrese de que las fijaciones estén colocadas correctamente.

- Los clavos se colocan contra el lado perfilado del rail, con los puntos de los clavos mirando hacia fuera del cuerpo de la herramienta.
- Las grapas se colocan contra el lado perfilado del rail. La corona de la grapa debe estar en la parte superior del cargador (las patas de las grapas mirando hacia fuera del cuerpo de la herramienta).
- Empuje el cargador (8) de nuevo hasta colocarlo en su sitio y hasta que el mecanismo de liberación atrape los clics, bloqueando el cierre del cargador.
- Vuelva a conectar la batería a la herramienta.

**NOTA:** No cargue fijaciones de diferentes longitudes juntas. No cargue grapas y clavos mezclados entre sí.

**NOTA:** Le recomendamos encarecidamente que utilice sólo grapas y clavos Tacwise homologados y originales.

## Descarga de la herramienta

- Mantenga pulsada el seguro de liberación en el lateral del cargador (8) y deslícelo hacia fuera.
- Retire la tira de grapas o clavos del cartucho.

**NOTA:** Tenga cuidado al deslizar la parte posterior del cartucho para cerrarlo. No aplique una fuerza excesiva, ya que, de lo contrario, podría dañar el deslizador del cartucho y hay peligro de que los dedos queden atrapados o aplastados.

## Protector de punta sin marca de repuesto

Esta herramienta se suministra con un protector de la punta, de caucho y extraíble, que impide que la herramienta marque la superficie de la pieza de trabajo. Esta herramienta está diseñada para ser utilizada tanto con el protector de punta de caucho como sin él, según la aplicación.

El protector de la punta se puede quitar y volver a colocar.

- Antes de quitar o volver a colocar el protector de la punta, desconecte de la fuente de alimentación y retire las fijaciones.
- Tire del protector de la punta del elemento de contacto de trabajo.
- Para colocarlo uno nuevo, empuje el nuevo protector de la punta sobre el elemento de contacto de trabajo.

**NOTA:** En la parte lateral trasera del cartucho hay un protector de la punta de repuesto (8). Para solicitar protectores de punta adicionales, póngase en contacto con su proveedor habitual e indique el código: 1513.

**Importante.** La elección del método de disparo es importante, por lo que debe comprobar las opciones de disparo siguientes.

## Modo de disparo único (Fig. D 1)

Bueno para una colocación de precisión.

- Sostenga firmemente el mango de la herramienta eléctrica con el cartucho a un ángulo de 90° sobre la pieza de trabajo.
- Empuje el interruptor de disparo único o contacto hacia la izquierda. Ahora el modo de disparo único está activado.
- Presione el pin de contacto de seguridad sobre la pieza de trabajo.
- Apriete el gatillo para disparar la grapa o clavo.
- Suelte el gatillo y el pin de contacto de seguridad después de disparar.

**NOTA:** El pin de contacto de seguridad debe estar presionado antes de apretar el gatillo.

## Modo de disparo por contacto (Fig. D 2)

Bueno para disparos rápidos y cómodos.

- Sostenga firmemente el mango de la herramienta eléctrica con el cartucho a un ángulo de 90° sobre la pieza de trabajo.
- Pulsar el interruptor de disparo de uno o contacto en el modo de disparo de contacto derecho ahora está activado.
- Apriete el gatillo, siga apretando y no lo suelte.
- Presione el pin de contacto de seguridad sobre la pieza de trabajo para disparar la grapa o el clavo.
- Siga apretando el gatillo, levante la herramienta eléctrica de la pieza de trabajo para liberar el pin de contacto de seguridad después de disparar.
- Presione el pin de contacto de seguridad sobre la pieza de trabajo para reiniciar el disparo.

**NOTA:** El gatillo debe mantenerse apretado en todo momento mientras el pasador de contacto de seguridad está presionado. No mantenga el gatillo presionado cuando la herramienta no esté en uso para evitar un disparo accidental.

## Ajuste de la profundidad (Fig. E)

La profundidad de penetración de los clavos se puede ajustar con la rueda de ajuste de profundidad (12).

- **Si lo clavos no quedan a la profundidad suficiente:** Para aumentar la profundidad, gire la rueda de ajuste de profundidad hacia la izquierda.
  - o
- **Si los clavos penetran demasiado:** Para aumentar la profundidad, gire la rueda de ajuste de profundidad hacia la derecha.
- Pruebe la nueva profundidad de penetración en una pieza de trabajo de prueba. Repita los pasos anteriores según sea necesario.

## Eliminación de atascos (Fig. F)

**NOTA:** Debe quitar cualquier grapa o clavo atascado antes de seguir usando la herramienta. Si sigue intentando disparar una fijación mientras la herramienta está atascada, podría causar daños al mecanismo.

- Incline la herramienta y retire cualquier grapa/clavo no usados del canal del cartucho. Esto debe retirar las fijaciones atascadas.
- Si sigue habiendo fijaciones atascadas después de seguir las instrucciones anteriores. Desenrosque los 4 pernos hexagonales de la placa de la boquilla con la llave proporcionada y retire la placa. Ponga los pernos hexagonales a un lado.
- Repita el procedimiento con la segunda placa de la boquilla y retírela también. Ponga también estos pernos hexagonales a un lado. **Nota:** los pernos hexagonales para la segunda placa son de un tamaño distinto a los de la placa superior, no los mezcle.
- Con ambas placas nasales quitadas, verá fijaciones atascadas. Retírelas con un par de alicates si es necesario.
- Vuelva a montar las placas de la boquilla y vuelva a apretar los pernos hexagonales sin apriete demasiado.
- Rellene el cartucho.
- Dispare algunas fijaciones de prueba para asegurarse de que la herramienta funciona correctamente.

**NOTA:** Si las grapas o clavos se atascan con frecuencia en la boquilla, lleve la herramienta al servicio técnico de uno de nuestros técnicos de Tacwise o a un servicio técnico autorizado.

## Mantenimiento

Esta herramienta eléctrica Tacwise ha sido diseñada para que funcione durante un largo periodo de tiempo con un mantenimiento mínimo. El funcionamiento satisfactorio continuo depende de la limpieza regular y cuidados adecuados de la herramienta.

Si la herramienta falla a pesar de los esmerados procesos de fabricación y control, debe realizarse una reparación por parte de nuestros técnicos del servicio técnico o distribuidor autorizado. En toda la correspondencia y pedido de piezas de repuesto, debe incluir siempre el número de serie de la herramienta.

## Limpieza

- Saque la batería antes de limpiar la carcasa con un paño suave.
- Mantenga las ranuras de ventilación despejadas y limpias con regularidad.
- Limpie el cartucho (8). Retire cualquier suciedad que se acumule en el cartucho durante el funcionamiento.

## Lubricación

Esta herramienta no necesita lubricación. No lubrique la herramienta, ya que puede dañar las partes internas.

**Asesoramiento sobre productos y soporte técnico**

¿Qué hacer si tiene algún problema con su herramienta eléctrica Tacwise? Envíe un correo electrónico a [service@tacwise.com](mailto:service@tacwise.com).

**Transporte**

Las baterías de iones de litio están sujetas a los requisitos de la legislación de mercancías peligrosas. El usuario puede transportar las baterías por carretera sin más requisitos.

Al ser transportado por terceras partes (por ejemplo, transporte o envío por agencia), deben observarse requisitos especiales de envasado y etiquetado. Para la preparación del producto a enviar, se requiere consultar a un experto en materiales peligrosos. Envíe las baterías sólo si la carcasa no este dañada. Encinte los contactos abiertos y coloque la batería en un envase de tal manera que no se pueda mover en el embalaje. Debe respetar también la normativa nacional.

**Servicio de reciclaje de Tacwise:** sirviendo al cliente y al medio ambiente.

**Herramientas a desechar**

Recicle los materiales que no necesite en lugar de tirarlos a la basura. Todas las herramientas y envases deben clasificarse, llevarse al centro de reciclaje local y eliminarse respetando el medio ambiente. Alternativamente, puede enviar un correo electrónico a [service@tacwise.com](mailto:service@tacwise.com) para obtener más información sobre cómo eliminar su herramienta eléctrica de forma gratuita respetando el medio ambiente.

**Eliminación de la batería**

Siga los procedimientos de las autoridades locales para la eliminación de baterías de iones de litio.

**Garantía**

Todas nuestras herramientas eléctricas se comprueban cuidadosamente, se prueban y están sujetas a los estrictos controles de garantía de calidad. Por lo tanto, Tacwise ofrece la siguiente garantía para herramientas eléctricas. Su garantía, basada en su contrato de compraventa con el minorista, incluyendo sus derechos legales, no se verá afectada por esta garantía.

**Garantía de un mes**

Si no está completamente satisfecho con el rendimiento de su herramienta eléctrica o si esta es defectuosa o está dañada al comprarla, cambiaremos el producto o emitiremos un reembolso completo dentro de los 28 días posteriores a la compra. Debe entregarse un justificante de compra con un recibo original y la herramienta debe devolverse completa tal y como se compró en el establecimiento de venta. Esto no afecta sus derechos legales.

**Servicio técnico gratuito de un año**

Si su herramienta necesita mantenimiento o servicio técnico en los 12 meses siguientes a su adquisición, este será realizado sin cargo alguno por uno de nuestros técnicos de servicio. Debe entregarse un justificante de compra junto con un recibo original. Esto incluye la mano de obra y piezas de la herramienta. No obstante, en algunos casos la opción más económica será la sustitución de la herramienta por otra que le suministraremos. Los accesorios tales como baterías, fijaciones, etc., quedan excluidos.

**Garantía estándar de dos años**

Si su herramienta eléctrica Tacwise es defectuosa debido a materiales o mano de obra defectuosa dentro de los 24 meses posteriores a la fecha de compra, garantizamos la sustitución de todas las piezas defectuosas de forma gratuita o a nuestra discreción, así como la sustitución de la herramienta de forma gratuita. Esta garantía no cubre:

- Herramientas que se hayan modificado sin autorización o a las que se les haya añadido elementos no autorizados.
- Defectos causados por el uso de accesorios, componentes o repuestos que no sean accesorios o piezas autorizados/originales del fabricante.
- Componentes sujetos a desgaste natural causados por un uso de acuerdo con nuestras instrucciones de uso.
- Defectos en la herramienta causados por uso inadecuado, condiciones ambientales anormales o condiciones de funcionamiento inadecuadas, incumplimiento de nuestro manual de instrucciones o mantenimiento insuficiente.
- Debe entregarse un justificante de compra junto con un recibo original.

Para información sobre su servicio técnico Tacwise más próximo, puede enviar un correo electrónico a [service@tacwise.com](mailto:service@tacwise.com) o para registrar su garantía, visite [www.tacwise.com/warranty-registration](http://www.tacwise.com/warranty-registration)

**IT Ranger EL-PRO**  
**Chiodatrice/graffatrice 2-in-1 cordless da 18 V**

**Complimenti**

per l'acquisto di questo utensile elettrico Tacwise. Questo apparecchio è in grado di offrire prestazioni soddisfacenti per un lungo periodo se utilizzato in maniera conforme alle indicazioni di sicurezza e istruzioni di funzionamento.

**Si raccomanda di conservare il presente manuale per futura consultazione**

**Dati tecnici**

Apparecchio	Chiodatrice/graffatrice da 18 V
Tipo di modello	EL-PRO
Tensione d'ingresso	18 V <sup>CC</sup> 2000 mAh
Livello di pressione acustica (pesatura in scala A)	79,9 dB (A)
Livello di potenza acustica (pesatura in scala A)	90,9 dB (A)
Livello di emissione vibrazioni*	1,39 m/s <sup>2</sup>
Tipologia punti	Punti Tacwise 91
Lunghezza punti	19-40 mm
Tipologia chiodi	Chiodi Tacwise 180 e 18G
Lunghezza chiodi	12 - 50 mm
Velocità di fissaggio massima	60 punti o chiodi al minuto
Capacità caricatore	100 punti/chiodi
Distanza minima dalla parete per la chiodatura	20 mm
Durata di funzionamento continuo per ricarica con batteria da 2,0 Ah	400 punti/chiodi
Peso (con batteria)	3,0 kg
<b>Batteria</b>	<b>1514</b> Codice per riordinazione
Tipo di batteria	Ioni di litio
Tensione	18 V
Capacità	2,0 Ah
Peso	0,35 kg
<b>Caricabatteria</b>	
Tensione di alimentazione/ Tensione alternata di ingresso (VAC)	100-240 V
Tipo di batteria	Ioni di litio
Tempo di ricarica	1-1,5 ore circa
Peso	0,34 kg
<b>Fusibili caricabatteria</b>	Apparecchi da 230 V 13 ampere

\* Il livello dell'emissione di vibrazioni dichiarato si riferisce alle applicazioni principali dell'apparecchio. La vibrazione potrebbe variare se l'apparecchio è adoperato per applicazioni diverse o in associazione ad accessori di altra tipologia, o ancora se è sottoposto a manutenzione insufficiente. Ciò potrebbe inoltre accrescere in misura significativa il livello di esposizione durante il periodo di utilizzo complessivo.

**CE – Dichiarazione di conformità**  
**Chiodatrice/graffatrice da 18 V**

Tacwise dichiara che questo apparecchio è stato progettato in conformità alle norme e agli standard introdotti nel quadro delle direttive europee.

Dipartimento Qualità, Tacwise Group Plc – Regno Unito

**AVVERTENZA! Assicurarsi di leggere e comprendere attentamente tutte le istruzioni prima di utilizzare l'apparecchio.**

La mancata osservanza delle indicazioni riportate potrebbe dar luogo a scosse elettriche, incendi e/o gravi infortuni. Il termine "elettroutensile" in tutte le avvertenze elencate di seguito si riferisce al presente apparecchio (cordless) funzionante a batteria. Per qualsiasi domanda relativa alla sicurezza del presente elettroutensile si prega di scrivere all'indirizzo [service@tacwise.com](mailto:service@tacwise.com).

**Rimozione dei contenuti dalla confezione**

- Rimuovere con cautela l'apparecchio e gli accessori dalla confezione.
- Controllare l'apparecchio con attenzione per assicurarsi che non si siano verificati danni durante il trasporto.
- In caso di componenti mancanti o danneggiati, scrivere all'indirizzo [service@tacwise.com](mailto:service@tacwise.com) per richiedere assistenza. Non utilizzare l'apparecchio fino a quando le parti mancanti o danneggiate non siano state sostituite. La mancata osservanza di tale indicazione potrebbe dar luogo a infortuni.
- È stato compiuto ogni sforzo per garantire l'accuratezza delle informazioni contenute nel presente manuale. Tuttavia, al fine di perseguire il continuo miglioramento dei nostri prodotti, Tacwise si riserva il diritto di modificare le specifiche del prodotto senza preavviso.

**Istruzioni generali di sicurezza**

**Importante.** Tacwise raccomanda di non sottoporre il presente elettroutensile ad alterazioni e di non utilizzarlo per impieghi diversi da quelli per cui è stato progettato. Qualsiasi alterazione o modifica costituisce un utilizzo improprio dell'apparecchio, introducendo il rischio di incorrere in lesioni fisiche. In caso di dubbio sulle applicazioni consentite per il presente apparecchio, raccomandiamo di contattarci per richiedere assistenza.

**Area di lavoro**

- **Mantenere l'area di lavoro pulita e ben illuminata.** Aree e banchi ingombrati favoriscono gli incidenti.
- **Tenere i bambini e gli animali domestici a debita distanza.** Eventuali visitatori dovrebbero essere mantenuti a una distanza sicura dall'area di lavoro.
- **Evitare ambienti pericolosi.** Non utilizzare elettroutensili in luoghi umidi o bagnati o sotto la pioggia. Assicurarsi che l'area di lavoro sia circondata da uno spazio adeguato. Non utilizzare l'apparecchio in ambienti caratterizzati atmosfera potenzialmente esplosiva, ovvero in presenza di liquidi, gas o polveri infiammabili; gli elettroutensili generano scintille che possono incendiare la polvere o le esalazioni volatili.
- **Fissare il pezzo da lavorare.** Utilizzare dispositivi di bloccaggio o morse per fissare il pezzo da lavorare. In questo modo sarà possibile utilizzare l'apparecchio con entrambe le mani.

**Sicurezza personale**

- **Lavorare con prudenza.** Guardare sempre cosa si sta facendo e fare appello al buonsenso. Non utilizzare l'apparecchio quando si è stanchi o sotto l'influenza di farmaci, alcol o stupefacenti.

- **Indossare un abbigliamento adeguato.** Non indossare indumenti larghi o gioielli che potrebbero essere catturati dalle parti in movimento. Si raccomanda inoltre di utilizzare calzature antiscivolo. Raccogliere i capelli lunghi e rimboccare le maniche degli indumenti fino a sopra il gomito.
- **Non tentare di utilizzare l'apparecchio su superfici instabili o a un'altezza difficile da raggiungere.** Tenere i piedi saldamente appoggiati al suolo e mantenere sempre un equilibrio corretto.
- **Utilizzare dispositivi di sicurezza.** Indossare dispositivi quali mascherina antipolvere, calzature di sicurezza antiscivolo, casco o protezione auricolare a seconda delle situazioni. Indossare occhiali di sicurezza omologati CE in ogni momento. Gli occhiali standard sono equipaggiati solo con lenti resistenti agli urti e NON sono considerati un dispositivo di sicurezza.

### Sicurezza elettrica

- **Scollegare lo strumento dall'alimentazione.** Quando non è in uso, prima della manutenzione o durante la sostituzione di accessori quali graffette / unghie ecc.
- **Non esporre l'elettrotensile alla pioggia o all'umidità.**
- **Le spine di alimentazione dell'elettrotensile devono essere compatibili con la presa di corrente.** Non utilizzare alcun tipo di adattatore di alimentazione con apparecchi collegati a massa (a terra). L'utilizzo di spine non appropriate con le prese corrispondenti ridurranno il rischio di folgorazione.
- **Protezione da scosse elettriche.** Durante l'utilizzo di elettrotensili, evitare il contatto con superfici collegate a terra quali tubi, radiatori, fornelli e frigoriferi.
- **Non danneggiare il cavo.** Non trasportare mai il caricabatteria dal cavo di alimentazione o tirarlo con forza dalla presa di corrente. Tenere il cavo lontano da fonti di calore, olio, angoli taglienti o parti in movimento. I cavi danneggiati o attorcigliati possono dar luogo a incendi o aumentare il rischio di scosse elettriche.

### Utilizzo e cura dell'elettrotensile

- **Non forzare l'elettrotensile.** Utilizzare l'elettrotensile adatto in base all'applicazione desiderata al fine di ottenere risultati soddisfacenti e garantire una velocità di fissaggio sicura.
- **Scollegare l'apparecchio dalla fonte di alimentazione prima di riporre l'elettrotensile o svolgere operazioni quali la sostituzione di accessori.** Tali misure di sicurezza preventive riducono il rischio di avvio accidentale dell'elettrotensile.
- **Non apportare modifiche o utilizzare l'elettrotensile in modo improprio.** L'uso dell'elettrotensile per operazioni diverse da quelle previste potrebbe dar luogo a situazioni di pericolo.
- **NON attivare l'apparecchio in caso di inceppamento dei chiodi.** Ciò rischia di danneggiare la lama di guida e favorire incidenti.
- **Tenere le dita lontane dall'innesto** finché non si è pronti ad avviare l'erogazione di chiodi/punti.
- **NON utilizzare su superfici rigide** come pietra, calcestruzzo, muratura, mattoni o acciaio, in quanto ciò potrebbe causare lesioni personali o danneggiare l'elettrotensile.
- **Fissare il pezzo da lavorare.** Utilizzare morsetti o altre modalità per fissare e sostenere il pezzo da lavorare su una piattaforma stabile. Non tentare di tenere fermo il pezzo con le mani o contro il corpo poiché ciò potrebbe provocare una perdita di controllo.
- **Conservazione degli elettrotensili.** Quando non in uso, gli elettrotensili devono essere conservati in un armadietto asciutto e chiuso a chiave, lontano dalla portata di bambini o di personale non in possesso della formazione adeguata.
- **Verificare la presenza di parti danneggiate.** Verificare la presenza di eventuali disallineamenti o piegatura delle parti in movimento; individuare eventuali componenti rotte o altre

condizioni che potrebbero influenzare il corretto funzionamento dell'elettrotensile. In caso di danni, interrompere l'utilizzo dell'apparecchio e provvedere alla riparazione dello stesso prima di utilizzarlo nuovamente. L'utilizzo di elettrotensili sottoposti a manutenzione insufficiente può dar luogo a incidenti.

- **Sottoporre gli elettrotensili a una manutenzione accurata.** Una corretta pulizia degli elettrotensili favorisce prestazioni migliori e una maggiore sicurezza durante l'uso. Verificare i cavi a intervalli regolari e sostituirli qualora danneggiati.
- **Accessori consigliati.** Utilizzare esclusivamente accessori raccomandati dal produttore per il modello in uso. Gli accessori adatti per un determinato apparecchio potrebbero accrescere il rischio di infortunio se adoperati su un apparecchio diverso.
- **Tenere l'elettrotensile e il relativo manico asciutti, puliti e privi di residui di olio e lubrificante.** Durante la pulizia, utilizzare sempre un panno pulito. Non utilizzare in nessuna circostanza liquido freni, benzina, prodotti derivati dal petrolio o solventi forti per la pulizia dell'apparecchio. L'osservanza di tale indicazione ridurrà il rischio di perdita di controllo e deterioramento del corpo dell'elettrotensile.
- **Attenzione a elementi pericolosi poco evidenti.** Verificare sempre che non vi sia il rischio di colpire eventuali cavi di alimentazione nascosti, tubi idrici o del gas.

### Cura e uso della batteria

- **Utilizzare solo il caricabatteria specificato dal produttore.** L'utilizzo di una batteria di tipo non idoneo in associazione al caricabatteria può introdurre il rischio di incendio.
- **Utilizzare esclusivamente le batterie specificate per l'apparecchio in questione.** L'utilizzo di una batteria di tipo non idoneo può introdurre il rischio di infortunio o incendio.
- **Tenere lontano da altri oggetti metallici come chiavi, monete, chiodi, viti, graffette quando la batteria non è in uso.** Piccoli oggetti metallici come quelli sopra elencati potrebbero entrare in contatto con i terminali della batteria, provocare un cortocircuito e introdurre il rischio di incendio.
- **Potrebbero verificarsi perdite di liquido dalla batteria in condizioni di utilizzo scorretto. Evitare il contatto.** In caso di contatto accidentale della pelle con il liquido della batteria, risciacquare con acqua. Richiedere l'intervento di un medico in caso di contatto con gli occhi. Il liquido fuoriuscito dalla batteria danneggiata può provocare irritazioni o ustioni.

### Istruzioni specifiche di sicurezza

- **Considerare sempre che l'apparecchio può essere carico.** Un utilizzo incauto dell'apparecchio potrebbe provocare l'accidentale erogazione di elementi di fissaggio, dando luogo a infortuni.
- **Utilizzare esclusivamente i chiodi/punti specificati nel presente manuale.** L'utilizzo di accessori non idonei per questo elettrotensile potrebbe provocare infortuni e/o danneggiare l'apparecchio.
- **Non toccare alcuna componente del caricatore o della punta di contatto durante il funzionamento.** Afferrare l'apparecchio solo dal manico o dal corpo principale.
- **Non attivare l'elettrotensile se questo non si trova in contatto con il pezzo da lavorare.** Premere il blocco di sicurezza sul meccanismo di attivazione con le dita o adoperare l'apparecchio in modo incauto potrebbe dar luogo a seri infortuni.
- **Fissaggio di elementi sottili.** È necessario prestare particolare cautela per evitare la possibile penetrazione dei chiodi/punti durante il fissaggio di elementi sottili, al fine di non arrecare potenziali lesioni o danni a persone o oggetti che si trovano dietro il pezzo da lavorare o nelle immediate vicinanze di quest'ultimo.

- **Non usare mai l'apparecchio come un martello.**  
L'impatto improvviso potrebbe spostare i componenti interni dell'elettrotensile, provocando la scarica degli elementi di fissaggio con conseguente infortunio dell'operatore.
- **Una volta completate le operazioni di fissaggio,** assicurarsi di scollegare l'apparecchio dalla fonte di alimentazione (batteria) prima di vuotare il caricatore.
- **Non smontare mai o bloccare nessuna delle componenti del meccanismo di posa di elementi di fissaggio.**
- **Prima di ogni utilizzo.** Accertarsi che i meccanismi di sicurezza e attivazione funzionino correttamente e che tutti i dadi e i bulloni siano serrati.
- **Non puntare mai nessun elettrotensile a sé stessi o altre persone.** Durante la posa di elementi di fissaggio, tenere l'apparecchio in modo tale da non arrecare danni alla testa o al corpo in caso di potenziali contraccolpi.
- **Non azionare mai l'elettrotensile in direzione di spazi liberi.**
- **Evitare di posare elementi di fissaggio sopra altri elementi di fissaggio.**
- **In caso di inceppamento degli elementi di fissaggio, scollegare la batteria dall'apparecchio.** Durante la rimozione di elementi di fissaggio inceppati, l'apparecchio potrebbe attivarsi accidentalmente se la batteria è collegata.
- **Prestare cautela durante la rimozione di elementi di fissaggio inceppati.** Il meccanismo di rilascio potrebbe essere soggetto a compressione, introducendo il rischio di scarica accidentale dell'elemento inceppato durante il tentativo di rimozione.
- **Non utilizzare questo apparecchio per il fissaggio di cavi elettrici.** L'elettrotensile non è stato progettato per l'installazione di cablaggio elettrico e potrebbe danneggiare i cavi dando luogo a infortuni da scosse elettriche o incendio.
- **Utilizzare rilevatori appropriati per stabilire l'eventuale presenza di linee di alimentazione all'interno dell'area di lavoro o rivolgersi al proprio fornitore di energia.** Il danneggiamento di linee elettriche potrebbe dar luogo a incendi e scosse elettriche. Le condotte di gas danneggiate potrebbero causare esplosioni. La perforazione di tubature idriche può arrecare danni a proprietà privata.
- **Durante l'utilizzo, tenere l'elettrotensile in modo tale da evitare il rischio di infortunio alla testa e/o al corpo a seguito di possibili contraccolpi provocati da malfunzionamento della batteria o da oggetti presenti nell'area di lavoro.**
- **Non tentare di aprire la batteria.** Pericolo di corto circuito.
- **Proteggere la batteria da fonti di calore (quali fuoco o costante luce solare diretta), acqua e umidità.** Pericolo di esplosione.
- **Una batteria danneggiata o soggetta a uso improprio può emettere vapori.** In tali circostanze, ventilare l'area e chiedere assistenza medica qualora necessario. I vapori possono irritare il sistema respiratorio.
- **Utilizzare la batteria solo in combinazione con lo strumento di alimentazione Tacwise** al fine di evitare possibili sovraccarichi.
- **Utilizzare solo batterie Tacwise originali con la tensione indicata sulla targhetta dell'elettrotensile.** L'utilizzo di batterie non originali, ricondizionate o di batterie di altri marchi può introdurre un pericolo di infortunio e danno a proprietà privata a seguito di esplosioni accidentali.
- **Il motore elettrico è stato progettato per una tensione di utilizzo specifica.** Controllare sempre che la tensione della batteria corrisponda alla tensione specificata sulla targhetta. Assicurarsi inoltre che la tensione del caricabatterie corrisponda a quella della rete elettrica.

## Modello e numero di serie.

Il nome modello del presente apparecchio è indicato su un'etichetta apposta sul caricatore, mentre il numero di serie è riportato sull'alloggiamento della batteria. Si prega di annotare modello e numero di serie nello spazio sottostante. Fornire sempre le informazioni seguenti nell'ambito di ogni richiesta di assistenza:

NOME MODELLO .....

NUMERO DI SERIE .....

## Informazioni sull'etichetta dell'elettrotensile



Osservare sempre le istruzioni e le avvertenze di sicurezza

## Informazioni sull'etichetta della batteria



Leggere il manuale di istruzioni prima dell'uso



Non caricare batterie danneggiate



Non bruciare la batteria



Caricare solo a temperature comprese tra 5 e 45 °C



Riciclabile



Smaltire le batterie nell'osservanza della legislazione ambientale



CE: Prodotto conforme alle direttive CE

## Informazioni sull'etichetta del caricabatteria



Leggere il manuale di istruzioni prima dell'uso



Utilizzare solo in ambienti chiusi



Sicurezza elettrica: assicurarsi che la tensione del caricabatteria corrisponda a quella della rete elettrica.



Pericolo – apparecchiatura elettrica



Smaltire le apparecchiature elettriche in conformità con la legislazione ambientale





Compatibile con fusibile T2A



CE: Prodotto conforme alle direttive CE



GS: Prodotto conforme alla normativa tedesca in materia di sicurezza dei prodotti

## Assistenza

Qualsiasi operazione di manutenzione richiede competenze e utensili specialistici e dovrebbe essere eseguita solo da tecnici qualificati Tacwise o da centri di assistenza autorizzati. Evitare di aprire il corpo principale dell'apparecchio, in quanto tale azione potrebbe dar luogo a infortuni e compromettere la validità della garanzia.

## Raccomandazioni di utilizzo

1. Utilizzare l'apparecchio in cicli da 15 minuti al fine di evitare il surriscaldamento della batteria o dell'elettrotensile.
2. Si consiglia di non erogare oltre 200 elementi di fissaggio in un unico ciclo di utilizzo continuo.
3. Lasciare raffreddare la batteria prima della ricarica per ottenere prestazioni ottimali.

## Caratteristiche (Fig. A)

La chiodatrice/graffatrice cordless da 18 V è stata progettata per l'erogazione di elementi di fissaggio all'interno di pezzi in legno.

1. Grilletto
2. Pulsante di rilascio della batteria
3. Batteria
4. Interruttore con spia LED
5. Gancio per cintura
6. Interruttore erogazione singola/a contatto
7. Protezione punta aggiuntiva
8. Caricatore
9. Indicatore LED
10. Spia LED
11. Meccanismo di contatto con protezione punta
12. Rotella di regolazione della profondità

## Caricamento della batteria

**Utilizzare esclusivamente il caricabatteria fornito in dotazione con il prodotto.** La batteria agli ioni di litio integrata all'apparecchio richiede l'impiego di caricabatteria compatibile

- Inserire la batteria all'interno del caricabatteria, allineando i contatti. Spingere la batteria fino a quando non si avverte uno scatto. Quindi, collegare il caricabatteria a una presa di corrente. L'indicatore rosso del caricabatteria si accende per segnalare che la batteria è in carica.
- Quando la batteria è completamente carica (dopo circa 1-1,5 ore) l'indicatore sul caricabatteria diventerà verde.
- La batteria è ora pronta per l'uso. Scollegare il caricabatteria dalla presa di corrente, quindi scollegare la batteria dal caricabatteria.

**NOTA:** La batteria è fornita parzialmente carica. Per garantire la piena capacità della batteria, caricarla completamente nel caricabatteria prima di utilizzare l'elettrotensile per la prima volta. La batteria agli ioni di litio può essere caricata in qualsiasi momento senza ridurne la durata. Interrompere la procedura di ricarica non danneggia la batteria.

La piena capacità delle batterie agli ioni di litio si ottiene solitamente dopo circa 5 cicli di ricarica/scarica.

La batteria è dotata di un meccanismo di controllo della temperatura tramite NTC che permette la ricarica solo all'interno di un intervallo di temperatura compreso tra 0 °C e 40 °C. Tale sistema permette di prolungare la durata utile della batteria. Osservare le indicazioni di "smaltimento della batteria".

## Significato degli indicatori luminosi del caricabatteria

- Spia LED rossa = ricarica.
- Spia LED verde = batteria completamente carica.

## Significato degli indicatori luminosi dell'apparecchio

- Spia LED rossa = livello batteria basso.
- Spia LED rossa lampeggiante = i punti/chiodi sono inceppati o il caricabatteria è troppo caldo.
- Spia LED verde = nessun punto metallico/chiodo caricato; la modalità di sicurezza anti-erogazione è attivata.
- Spia LED verde lampeggiante = la modalità anti-surriscaldamento è attivata.

Non è possibile erogare elementi di fissaggio; lasciare raffreddare l'apparecchio prima di utilizzarlo nuovamente.

## Inserire/estrarre la batteria (Fig. B)

Inserire la batteria nell'apposito alloggiamento fino a quando non si avverte uno scatto. Premere il pulsante di rilascio della batteria (2), tirare la batteria verso l'alto ed estrarla completamente, verso la parte posteriore.

## Verificare il meccanismo d'innesto a contatto

- Rimuovere tutti i chiodi/punti dal caricatore (8).
- Premere il meccanismo di contatto/sicurezza e premere sul grilletto. Il meccanismo di contatto/sicurezza e il grilletto dovrebbero muoversi liberamente.
- Caricamento di chiodi/punti nel caricatore (8).
- Non utilizzare l'apparecchio se il meccanismo di contatto/sicurezza non si muove liberamente.
- Posizionare il meccanismo di contatto sul pezzo da lavorare, quindi premere l'elettrotensile contro il pezzo da lavorare senza azionare il grilletto; l'apparecchio non dovrebbe avviare l'erogazione di elementi di fissaggio. Sollevare l'apparecchio dal pezzo da lavorare; il meccanismo di contatto dovrebbe rientrare automaticamente in posizione.
- Premere il grilletto, l'apparecchio non dovrebbe avviare l'erogazione di elementi di fissaggio.

## Caricamento dell'apparecchio con punti/chiodi (Fig. C)

- Rimuovere la batteria dall'elettrotensile
- Premere il pulsante di rilascio (2) e rimuovere il coperchio del caricatore.
- Inclinare l'apparecchio e posizionare i chiodi/punti nel canale del caricatore.

**NOTA:** Assicurarsi che gli elementi di fissaggio siano posizionati correttamente.

- I chiodi vengono posizionati contro l'estremità profilata del canale, con la punta rivolta verso il lato opposto rispetto al corpo dell'elettrotensile.
- I punti devono essere posizionati contro l'estremità profilata del canale, avendo cura di rivolgere la corona in corrispondenza della parte più alta del caricatore (le gambe della graffa dovrebbero essere rivolte verso il lato opposto rispetto al corpo dell'elettrotensile).
- Spingere il caricatore (8) in posizione fino a quando non si avverte uno scatto.
- Reinserrire la batteria all'interno dell'elettrotensile.

**NOTA:** Non caricare contemporaneamente elementi di fissaggio aventi lunghezze diverse. Evitare di caricare punti e chiodi contemporaneamente.

**NOTA:** Si raccomanda vivamente di utilizzare solo chiodi e punti originali Tacwise.

### Scaricamento dell'apparecchio

- Tenere premuta la leva di apertura sul lato del caricatore (8) ed estrarlo.

- Rimozione dei chiodi/punti dal caricatore.

**NOTA:** Prestare cautela durante il reinserimento del caricatore in posizione. Non applicare forza eccessiva, altrimenti si rischia di danneggiare il meccanismo di chiusura e le dita potrebbero inoltre restare schiacciate nell'unità.

### Protezione punta di ricambio

Questo apparecchio è fornito con una protezione punta in gomma rimovibile che impedisce all'elettrotensile di lasciare tracce sul pezzo da lavorare. L'apparecchio è progettato per essere usato con senza la protezione in gomma a seconda dell'applicazione. La protezione punta può essere rimossa e riapplicata successivamente.

- Prima di rimuovere o applicare nuovamente la protezione, scollegare l'apparecchio dall'alimentazione e rimuovere gli elementi di fissaggio.
- Estrarre la protezione punta dall'elemento di contatto. Per riapplicare la protezione punta, spingerla nuovamente sull'elemento di contatto.

**NOTA:** Una protezione punta di ricambio si trova in corrispondenza dell'estremità laterale/posteriore del caricatore (8). Per ordinare protezioni aggiuntive, contattare il rivenditore di fiducia fornendo il codice: 1513.

**Importante.** La selezione del metodo di erogazione degli elementi di fissaggio è importante. Consultare di seguito le modalità disponibili.

### Erogazione singola (Fig. D 1)

Ideale per il fissaggio di precisione.

- Afferrare saldamente l'impugnatura dell'apparecchio, avendo cura di tenere il caricatore a un angolo di 90° dal pezzo da lavorare.
- Spingere l'interruttore di "erogazione singola/a contatto" verso sinistra. La modalità di erogazione singola è ora attiva.
- Premere il meccanismo di contatto contro il pezzo da lavorare.
- Premere il grilletto per erogare il chiodo/punto metallico.
- Rilasciare il grilletto e il meccanismo di contatto una volta terminata l'operazione..

**NOTA:** È necessario premere il meccanismo di contatto prima di attivare il grilletto.

### Erogazione a contatto (Fig. D 2)

Ideale per l'erogazione rapida di elementi di fissaggio.

- Afferrare saldamente l'impugnatura dell'apparecchio, avendo cura di tenere il caricatore a un angolo di 90° dal pezzo da lavorare.
- Spingere l'interruttore di "erogazione singola/a contatto" verso destra. La modalità di erogazione "a contatto" è ora attiva.
- Premere e tenere premuto il grilletto senza rilasciarlo.
- Premere il meccanismo di contatto contro il pezzo da lavorare per avviare l'erogazione dei punti/chiodi.
- Continuando a premere il grilletto, sollevare l'elettrotensile dal pezzo da lavorare per rilasciare il meccanismo di contatto una volta ultimata l'operazione.
- Premere il meccanismo di contatto sul pezzo per riprendere l'erogazione degli elementi di fissaggio.

**NOTA:** È necessario continuare a premere il grilletto quando il meccanismo di contatto è appoggiato sul pezzo. Non tenere il grilletto premuto quando l'apparecchio non è in uso al fine di impedire l'erogazione accidentale di elementi di fissaggio.

### Regolazione della profondità (Fig. E)

La rotella di regolazione della profondità (12) consente di regolare la profondità di erogazione dei chiodi.

- **Il fissaggio dei chiodi non avviene a una profondità sufficiente:** Per incrementare la profondità di erogazione, girare la rotella verso sinistra.  
oppure
- **Il fissaggio dei chiodi avviene a una profondità eccessiva:** Per ridurre la profondità di fissaggio, girare la rotella di regolazione verso destra.
- Testare la nuova profondità di fissaggio su un pezzo di prova. Ripetere i passaggi precedenti a seconda delle esigenze.

### Rimozione degli inceppamenti (Fig. F)

**NOTA:** È necessario rimuovere eventuali punti metallici o chiodi inceppati prima di utilizzare nuovamente l'apparecchio per non rischiare di arrecare danni al meccanismo.

- Inclinare l'apparecchio e rimuovere eventuali punti/chiodi dal canale del caricatore; in questo modo dovrebbe essere possibile rimuovere gli elementi inceppati.
- Se gli elementi di fissaggio restano inceppati dopo aver seguito le istruzioni sopra riportate: Svitare i 4 bulloni a testa esagonale montati sulla piastra dell'erogatore utilizzando la chiave inglese in dotazione, quindi rimuovere la piastra. Tenere da parte i bulloni a testa esagonale.
- Ripetere l'operazione anche per la seconda piastra dell'erogatore e rimuoverla. Tenere da parte i bulloni rimossi. **Nota:** i bulloni a testa esagonale destinati alla seconda piastra sono di dimensione diversa rispetto a quelli rimossi precedentemente, quindi fare attenzione a non confonderli.
- Una volta rimosse le piastre dall'erogatore sarà possibile vedere chiaramente gli elementi inceppati. Se necessario, rimuoverli aiutandosi con delle pinze.
- Rimontare le piastre dell'erogatore e serrare nuovamente i bulloni a testa esagonale. Attenzione a non serrare eccessivamente.
- Inserire nuovi elementi di fissaggio nel caricatore.
- Erogare alcuni elementi di fissaggio per assicurarsi che l'apparecchio funzioni correttamente.

**NOTA:** Se gli inceppamenti di chiodi/punti all'interno dell'erogatore si verificano di frequente, si raccomanda di rivolgersi a un tecnico Tacwise o a un centro di assistenza autorizzato.

### Manutenzione

L'elettrotensile è stato progettato per funzionare per un lungo periodo di tempo a fronte di manutenzione minima. Il funzionamento soddisfacente del prodotto su base continuativa dipende tuttavia da una cura e pulizia regolari dello stesso. Qualora l'apparecchio dovesse presentare malfunzionamenti, nonostante i notevoli sforzi compiuti nelle fasi di fabbricazione e collaudo, la riparazione dovrebbe essere effettuata da tecnici Tacwise o da centri di assistenza autorizzati. Specificare sempre il numero di serie fornito con il prodotto in ogni comunicazione o ordine di componenti di ricambio.

## Pulizia

- Rimuovere la batteria prima di pulire l'alloggiamento con un panno morbido.
- Assicurarsi che le aperture di ventilazione siano sempre pulite e non ostruite.
- Pulizia del caricatore (8). Rimuovere eventuali residui che potrebbero accumularsi all'interno del caricatore durante l'utilizzo.

## Lubrificazione

Questo apparecchio non richiede lubrificazione. Non lubrificare l'apparecchio in quanto ciò potrebbe danneggiare le parti interne.

## Consigli e assistenza tecnica sul prodotto

Cosa fare in caso di problemi con un elettroutensile Tacwise? E-mail [service@tacwise.com](mailto:service@tacwise.com).

## Trasporto

Le batterie agli ioni di litio contenute sono soggette ai requisiti della normativa in materia di merci pericolose. L'utente può trasportare le batterie su strada senza la necessità di conformarsi a requisiti particolari.

Durante il trasporto da parte di terzi (ad es. trasporto aereo o a carico di spedizionieri) è necessario osservare requisiti specifici in termini di imballaggio ed etichettatura. È necessario consultare un esperto in materia di merci pericolose per una corretta preparazione dei prodotti da spedire. Spedire le batterie solo se la confezione è integra. Proteggere o sigillare i contatti aperti e imballare la batteria in modo tale da impedire movimenti indesiderati nella confezione. Si prega inoltre di agire in ottemperanza a norme nazionali che potrebbero prevedere requisiti più specifici.

**Servizio di riciclo prodotti Tacwise** - al servizio del cliente e dell'ambiente

## Materiali indesiderati

Riciclare i materiali indesiderati invece di smaltirli con i normali rifiuti. I prodotti e i relativi imballaggi dovrebbero essere opportunamente differenziati, trasportati al centro di riciclaggio più vicino e smaltiti secondo modalità sicure per l'ambiente. In alternativa, si prega di scrivere all'indirizzo [service@tacwise.com](mailto:service@tacwise.com) per ottenere gratuitamente ulteriori informazioni sul corretto smaltimento dell'elettroutensile.

## Smaltimento della batteria

Seguire le procedure prescritte dalle autorità locali per lo smaltimento di batterie agli ioni di litio.

## Garanzia

Tutti gli elettroutensili Tacwise sono soggetti a verifiche e collaudi accurati, nonché a rigorosi controlli di qualità. Tacwise offre la seguente garanzia per tutti gli elettroutensili. Le richieste di interventi in garanzia previste ai sensi del contratto di vendita con il rivenditore, ivi compresi i diritti giuridici riconosciuti al consumatore, non sono pregiudicate da questa garanzia.

## Garanzia di un mese

Se non si è completamente soddisfatti delle prestazioni del prodotto Tacwise o se quest'ultimo risulta difettoso o danneggiato dopo l'acquisto, Tacwise si impegna a sostituire l'apparecchio o a emettere un rimborso totale entro 28 giorni dall'acquisto. Sarà necessario presentare una prova di acquisto sotto forma di ricevuta originale e l'apparecchio integro dovrà essere restituito al punto di acquisto originale. Questo non pregiudica i diritti giuridici riconosciuti al cliente.

## Un anno di manutenzione gratuita

Se l'elettroutensile Tacwise richiede manutenzione o riparazione nei 12 mesi successivi all'acquisto, gli interventi saranno erogati a titolo gratuito da un tecnico Tacwise. Sarà necessario presentare una prova d'acquisto sotto forma di ricevuta originale. L'assistenza offerta nel contesto della garanzia include i costi di manodopera e delle componenti di ricambio. In alcune circostanze, è possibile tuttavia che la sostituzione dell'unità costituisca la soluzione più economica rispetto alla riparazione dell'apparecchio; in questi casi, Tacwise provvederà a fornire un nuovo prodotto. Accessori quali batterie, dispositivi di fissaggio ecc. sono esclusi.

## Garanzia standard di due anni

Se il prodotto Tacwise diventa difettoso a causa di difetti di materiale o di produzione entro 24 mesi dalla data di acquisto, provvederemo alla sostituzione gratuita di tutte le parti difettose o dell'unità a seconda dei casi. Questa garanzia non copre:

- Apparecchi sottoposti a modifiche o aggiunte non autorizzate.
- Difetti causati dall'utilizzo di accessori, componenti o ricambi diversi dagli accessori o ricambi originali/approvati Tacwise.
- Componenti sono soggetti a normale usura a seguito di utilizzo conforme alle indicazioni.
- Difetti del prodotto causati da uso improprio, condizioni ambientali anomale o condizioni di funzionamento inadeguate, nonché dall'inosservanza delle nostre indicazioni d'uso o da manutenzione insufficiente.
- Sarà necessario presentare una prova d'acquisto sotto forma di ricevuta originale.

Per informazioni sul centro di assistenza Tacwise più vicino, si prega di scrivere a [service@tacwise.com](mailto:service@tacwise.com); per registrare la garanzia, visitare [www.tacwise.com/warranty-registration](http://www.tacwise.com/warranty-registration)

