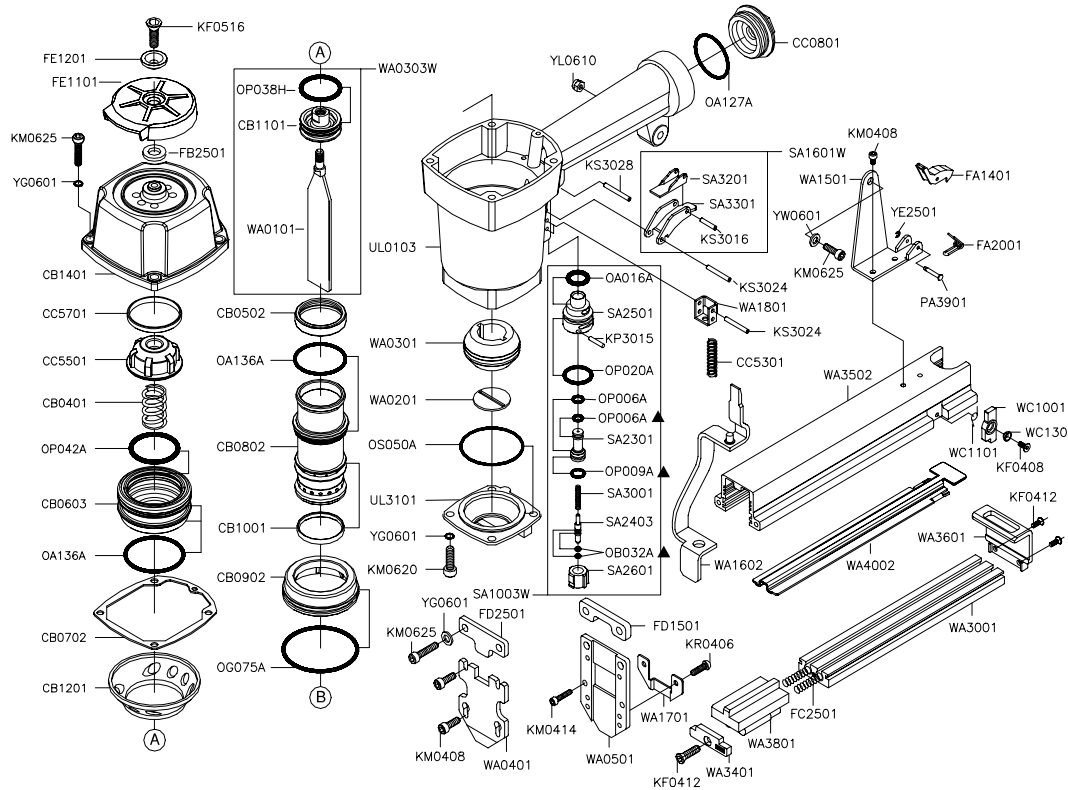


# FCF15XCB 15mm AIR CORRUGATED FASTENER

For replacement parts contact your usual Tacwise supplier.

## Exploded view drawing



Item	Description	Item	Description
CB0401	Compression Spring	OP009A	O-Ring
CB0502	Cylinder Ring	OP020A	O-Ring
CB0603	Head Valve Piston	OP038H	O-Ring
CB0702	Cap Seal	OP042A	O-Ring
CB0802	Cylinder	OS050A	O-Ring
CB0902	Cylinder Ring	PA3901	Pin
CB1001	Check Seal	SA1003W	Restrictive Trigger Assembly
CB1101	Main Piston	SA1601W	Trigger Assembly
CB1201	Collar	SA2301	Pilot Valve
CB1401	Cylinder Cap	SA2403	Trigger Valve Stem
CC0801	End Cap	SA2501	Trigger Valve Seat
CC5301	Compression Spring	SA2601	Trigger Valve Seat
CC5501	Piston Stop	SA3001	Compression Spring
CC5701	Spacer	SA3201	Contact Lever
FA1401	Latch	SA3301	Trigger
FA2001	Spring	UL0103	Body
FB2501	Piston Stop	UL3101	Side Plate (L.H.)
FC2501	Pusher Spring	WA0101	Driver
FD1501	Spacer	WA0201	Nozzle
FD2501	Cover Plate (A)	WA0301	Bumper
FE1101	Exhaust Cap	WA0303W	Driver Assembly
FE1201	Exhaust Cap Ring	WA0401	Cover Plate (B)
KF0408	Flat HD. Bolt (M4 x 0.7 x 8)	WA0501	Guide Plate
KF0412	Flat HD. Bolt (M4 x 0.7 x 12)	WA1501	Support
KF0516	Flat HD. Bolt (M5 x 0.8 x 16)	WA1602	Safety
KM0408	Hex. Soc. HD. Bolt (M4 x 0.7 x 8)	WA1701	Safety Guide
KM0414	Hex. Soc. HD. Bolt (M4 x 0.7 x 14)	WA1801	Safety Guide
KM0620	Hex. Soc. HD. Bolt (M6 x 1.0 x 20)	WA3001	Magazine Seat
KM0625	Hex. Soc. HD. Bolt (M6 x 1.0 x 25)	WA3401	Front Plate
KP3015	Parallel Pin	WA3502	Magazine Cap
KR0406	Button HD. Bolt (M4 x 0.7 x 6)	WA3601	Stop Plate
KS3016	Spring Pin	WA3801	Pusher
KS3024	Spring Pin	WA4002	Adjustment Rail
KS3028	Spring Pin	WC1001	Pusher Stop
OA016A	O-Ring	WC1101	Spring
OA127A	O-Ring	WC1301	Screw Seat
OA136A	O-Ring	YE2501	E-Ring
OB032A	O-Ring	YG0601	Spring Washer
OP006A	O-Ring	YL0610	Lock Nut
OP009A	O-Ring	YW0601	Flat Washer
OP020A	O-Ring		
OP038H	O-Ring		
OP042A	O-Ring		
OS050A	O-Ring		
PA3901	Pin		
SA1003W	Restrictive Trigger Assembly		
SA1601W	Trigger Assembly		
SA2301	Pilot Valve		
SA2403	Trigger Valve Stem		
SA2501	Trigger Valve Seat		
SA2601	Trigger Valve Seat		
SA3001	Compression Spring		
SA3201	Contact Lever		
SA3301	Trigger		
UL0103	Body		
UL3101	Side Plate (L.H.)		
WA0101	Driver		
WA0201	Nozzle		
WA0301	Bumper		
WA0303W	Driver Assembly		
WA0401	Cover Plate (B)		
WA0501	Guide Plate		
WA1501	Support		
WA1602	Safety		
WA1701	Safety Guide		
WA1801	Safety Guide		
WA3001	Magazine Seat		
WA3401	Front Plate		
WA3502	Magazine Cap		
WA3601	Stop Plate		
WA3801	Pusher		
WA4002	Adjustment Rail		
WC1001	Pusher Stop		
WC1101	Spring		
WC1301	Screw Seat		
YE2501	E-Ring		
YG0601	Spring Washer		
YL0610	Lock Nut		
YW0601	Flat Washer		