

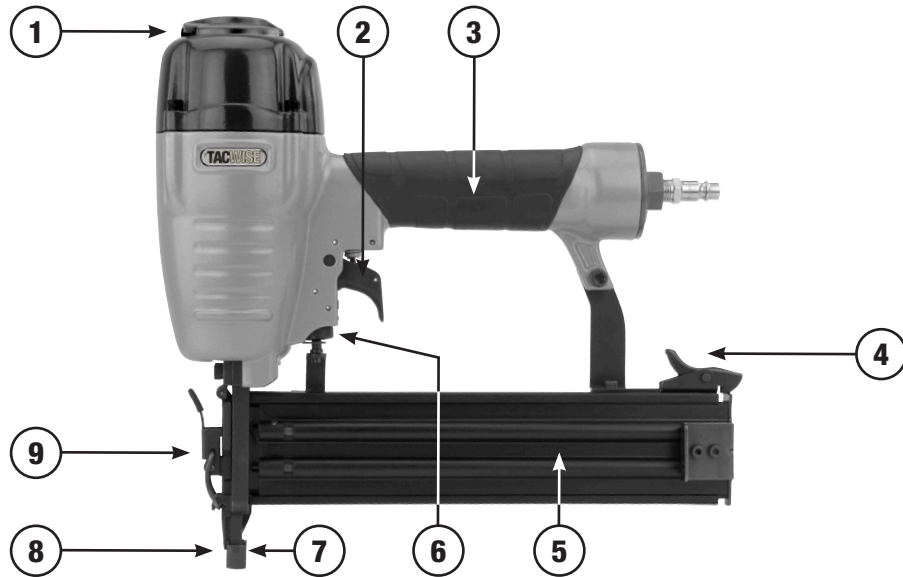
OPERATOR'S MANUAL

EHS50V

Air Finish Nailer taking 15G Hard Steel & 16G Finish Nails



FIG. A



Air Finish Nailer taking 15G Hard Steel & 16G Finish Nails **EHS50V**

Congratulations!

On the purchase of your Tacwise power tool. Your tool will perform to your satisfaction for a long time if handled in accordance with our Safety and Operating instructions.

Save this manual for future reference

Package Contents

Please refer to the product packaging for details of pack contents.

Technical Data

Minimum operating air pressure	65psi
Maximum operating air pressure	120psi
Nail length range	15mm (19/32") - 50mm (2")
Nail size	15G/16G
Magazine capacity	100
Air inlet	1/4" NPT
Air consumption	2.9cfm @ 90psi
Weight	2.27kgs (5lbs)
Vibration emission level*	8.51m/s ²

* The declared vibration emission level represents the main applications of the tool. However, if the tool is used for different applications, with different accessories or poorly maintained, the vibration emission may differ. This may significantly increase exposure level over the total working period.

Work Area

- **Keep your work area clean and well lit.** Cluttered benches and dark areas invite accidents.
- **Keep children and pets away.** All visitors should be kept a safe distance from work area.
- **Avoid dangerous environments.** Do not use power tools in damp or wet locations, or expose them to rain. Provide adequate space surrounding the work area. Do not use in environments with a potentially explosive atmosphere, such as in the presence of flammable liquids, gases or dust; power tools will create sparks which may ignite the dust or fumes.
- **Secure work.** Use clamps or a vice to hold work. This frees both hands to operate the power tool.

Personal Safety

- **Stay alert.** Always watch what you are doing and use common sense. Do not operate a power tool when you are tired or under the influence of medication, alcohol or drugs.
- **Wear proper clothing.** Do not wear loose clothing or jewellery that can catch in moving parts. Non-slip footwear is recommended. Contain long hair. Roll long sleeves above the elbow.
- **Do not over reach or use on unstable surfaces.** Keep proper footing and balance at all times.
- **Use safety equipment.** Dust mask, non-skid safety shoes, hard hat, or hearing protection must be used for appropriate conditions. Wear CE approved safety goggles at all times. Normal spectacles only have impact resistant lenses; they are NOT safety glasses.
- **Never point any power tool at yourself or at any other person.** While working, hold the tool in such a way that no injuries can be caused to the head or to the body in the event of possible recoil.

Power Tool Use and Care

- **Never use oxygen combustible gases, bottled gases or high pressure compressed gas as a power source for this tool.** The tool may explode and cause serious injury.
- **Store the tool.** When not in use, tool should be cleaned, fully assembled and then, stored in a dry location to reduce rust. For safety, keep out of reach of children.
- **Outdoor extension cords.** When the air compressor is used outdoors, use only rounded jacket extension cords intended for outside use.
- **Pay attention to air hose and their connections.** Don't trip over hoses. Make sure all connections are tight.
- **Use the correct air connector.** The connector on the tool must not hold pressure when the air supply is disconnected. If the wrong fitting is used, the tool can be charged with air after being disconnected and still be able to drive a fastener.

Model and Serial No.

The model number of this tool will be found on a label located on the tool's magazine channel. The serial number is on the side of the body above the trigger. Please record the model number and serial number in the space provided below. Please always give the following information when contacting us:

MODEL NUMBER

SERIAL NUMBER

**CE – Declaration of Conformity
Air Finish Nailer**

Tacwise declares that this power tool has been designed in compliance with the Regulations and Standards of the European Directives.

Quality Department, Tacwise Group Plc – UK

Unpacking

- Carefully remove the tool and accessories from the box.
- Make sure that all items listed in the packing list are included.
- Inspect the tool carefully to make sure no breakage or damage occurred during transit.
- If any parts are damaged or missing, please email service@tacwise.com for assistance. Do not operate this tool until the missing or damaged parts are replaced. Failure to do so could result in a personal injury.
- Whilst every effort has been made to ensure accuracy of information contained within this manual, the Tacwise policy is one of continuous improvement to our products and as such we reserve the right to change the product specification without prior notice.

General Safety Instructions

Important. Tacwise recommends that this power tool should not be modified or used for any application other than that for which it was designed. Any such alteration or modification is misuse and could result in a hazardous condition leading to a personal injury. If you are unsure of its relative applications do not hesitate to contact us and we will advise you.

FIG. B

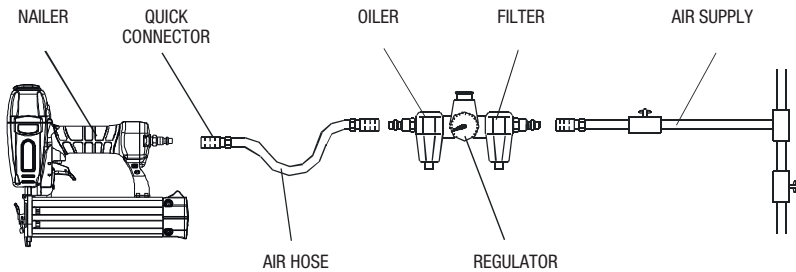


FIG. C

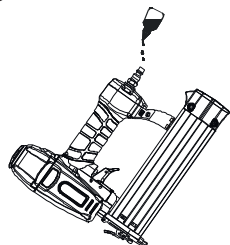
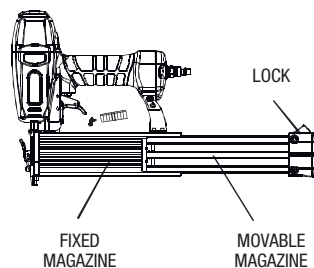


FIG. D



Features (Fig. A)

Your Air Finish Nailer has been designed for driving fasteners into wooden and concrete surfaces.

1. Adjustable exhaust cap
2. Trigger
3. Rubber handle grip
4. Magazine release catch
5. Magazine
6. Depth adjustment wheel
7. Nose piece
8. Safety bracket
9. Quick release nose gate

Set up

Your air tool is fully assembled when you receive it. Before using it, attach the air line and desired air system accessories. See 'Fig. B' for the recommended accessories and connection order. Be sure the air hose is depressurised when installing or removing adaptors to the air line.

Connecting the Tool to an Air Supply

WARNING: When connecting the air the tool may possibly fire the fasteners as soon as you plug it in to air hose. Therefore, remove all the fasteners before connecting to the air.

- Determine if the tool needs oil and, if necessary, place two drops of oil in the AIR PLUG as shown in 'Fig. C'. If you are using an automatic in-line oiler, check and add oil if necessary.
- Turn the compressor on and set the regulator to the proper pressure for the size and type of fastener being used.
- Connect the tool to the air supply (see 'Fig. B' for air supply connection recommendations).

Loading the Fasteners

WARNING: Do not depress the trigger when loading.

- Depress the LOCK to release the MOVABLE MAGAZINE and pull the magazine out fully as shown in 'Fig. D'.
- Place a full clip of the specified type and size fasteners on the FIXED MAGAZINE, up to 100 fasteners may be loaded in the magazine.
- Push the MOVABLE MAGAZINE assembly forward until it is locked.

Operating the Tool

The driving depth of the nails can be set with the depth adjustment wheel. It is advised that you test the driving depth in a sample piece of wood before using.

NOTE: It is recommended to shoot shorter length nails at a lower psi.

- Connect the tool to the air supply. Make sure the air pressure is in correct range denoted in section of TECHNICAL DATA.
- Load fastener above as the direction given in the section called LOADING THE FASTENERS.
- Hold the body and press the nose piece to work surface, be sure the tool is straight and then gently depress the trigger to drive the fastener.
- Lift the tool off the work surface.

The tool has two driving modes:

Single firing mode

- Place the nose piece on the working surface, lightly push the tool toward the working surface until the safety bracket is depressed, then, depress the trigger to drive the fasteners.

Contact firing mode (sequential)

- First, depress the trigger, then, repeatedly impact the safety bracket onto the working surface, the tool can repeatedly drive the fasteners. Lift tool from working surface to release the safety bracket after firing. Keep the trigger depressed, press the safety bracket onto the working surface to recommence firing.

Clearing Jams

NOTE: You must remove jammed nail before using the tool any further. If you try to fire a nail while the tool is jammed, you could cause damage to the mechanism.

- Disconnect tool from air supply.
- Remove any unused nails in channel, this should clear the jammed fastener.
- If this does not work, release the nose gate.
- Remove the jammed nail. Use a pair of pliers if required.
- Close the nail gate, refill the magazine and then reconnect to air supply.
- Test fire 2 or 3 nails into a piece of scrap wood in order to ensure proper operation.

Regular Maintenance

- Frequent, but not excessive, lubrication is required for best performance. Oil added through the airline connection will lubricate internal parts. An automatic airline oiler is recommended but oil may be added manually before every operation or after about 1 hour of continuous use. Only a few drops of oil at a time are necessary. Too much oil will collect inside the tool and be blown out during the exhaust cycle. ONLY USE PNEUMATIC TOOL OIL. Do not use detergent oil or additives, as these lubricants will cause accelerated wear to the seal in the tool.
- Use a small amount of oil on all moving surface and pivots.
- Dirt and water in the air supply are major causes of pneumatic tool wear. Use a filter/ oiler for better performance and longer life. The filter must have adequate flow capacity for the specific application.
- Keep tools clean for better and safer performance. Use nonflammable cleaning solutions (CAUTION: Such solutions may damage O-ring and other tool parts) only if necessary - DO NOT SOAK.