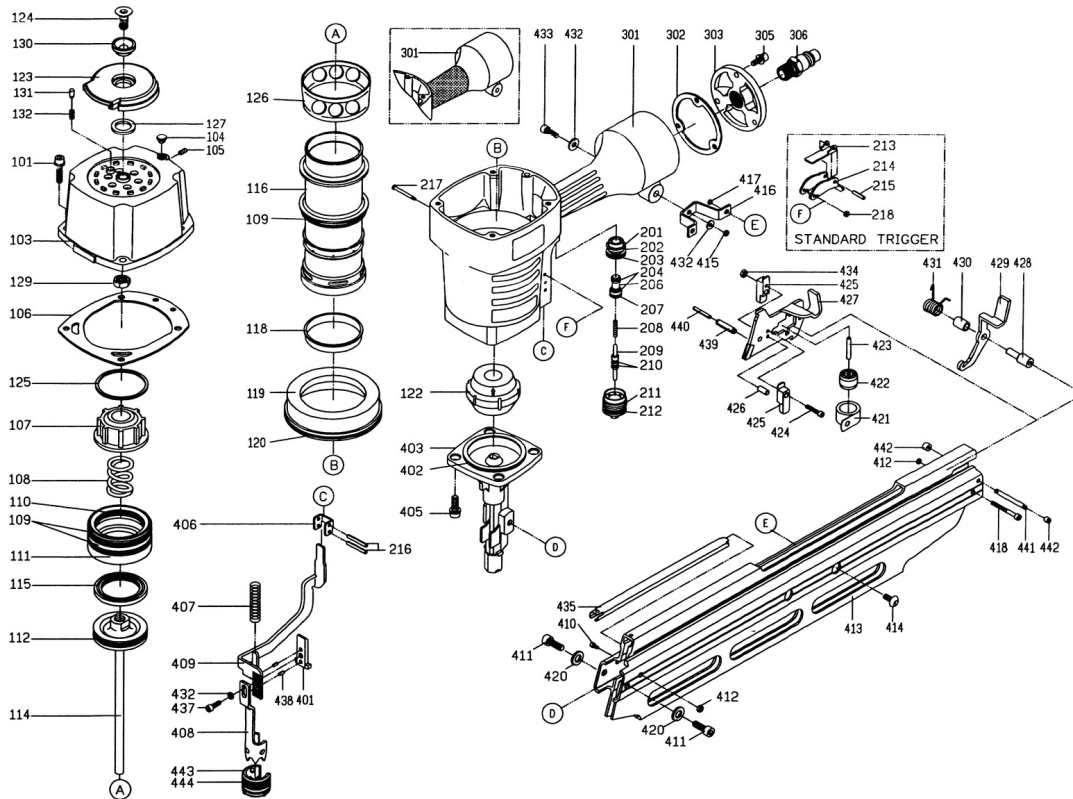


JSN90MHH 90mm ANGLED STRIP NAILER

For replacement parts contact your usual Tacwise supplier.

Exploded view drawing



Item	Description	Item	Description	Item	Description
101	Bolt Assembly	213	Secondary Trigger	430	Latch Spring Bushing
103	Cap	214	Trigger	431	Latch Spring
104	Grommet	215	Spring Pin	432	Flat Washer
105	Hex. Soc. HD. Screw	216	Spring Pin	433	Hex. Soc. HD. Bolt
106	Cylinder Cap Seal	217	Trigger Pivot Pin	434	Lock Nut
107	Seal	218	Urethane Retainer	435	Steel Channel
108	Compression Spring	301	Gun Body Unit	437	Hex. Soc. HD. Bolt
109	O-Ring	302	Gasket	438	Spring Pin
110	O-Ring	303	End Cap	439	Spring Pin
111	HD. Valve Piston	305	Bolt Assembly	440	Spring Pin
112	O-Ring	306	Air Plug	441	Latch Pin
114	Driver Unit	401	Positioning Sheet	442	Shaft Ring
115	Collar	402	O-Ring	443	Protective Casing
116	Cylinder	403	Nose Piece	444	Fixed Ring
118	Cylinder Ring	405	Bolt Assembly		
119	Cylinder Spacer	406	Safety Guide		
120	O-Ring	407	Safety Spring		
122	Bumper	408	Safety A		
123	Deflector	409	Safety B		
124	Counter Sunk Screw	410	Hex. Soc. HD. Bolt		
125	Gasket	411	Hex. Soc. HD. Bolt		
126	Press Ring	412	Lock Nut		
127	Rubber Pad	413	Magazine A		
129	Lock Nut	414	Half Round HD. Hex. Bolt		
130	Deflector Pad	415	Lock Nut		
131	Positioning Axie	416	Bracket		
132	Positioning Spring	417	Lock Nut		
201	O-Ring	418	Hex. Soc. HD. Bolt		
202	Trigger Valve Head	420	Flat Washer		
203	O-Ring	421	Spring		
204	O-Ring	422	Rolling Element		
206	Valve Plunger	423	Roll Pin		
207	O-Ring	424	Hex. Soc. HD. Bolt		
208	Spring	425	Pusher Bearing		
209	Plunger	426	Pin		
210	O-Ring	427	Pusher		
211	Plunger Cap	428	Magazine Spacer		
212	O-Ring	429	Latch		