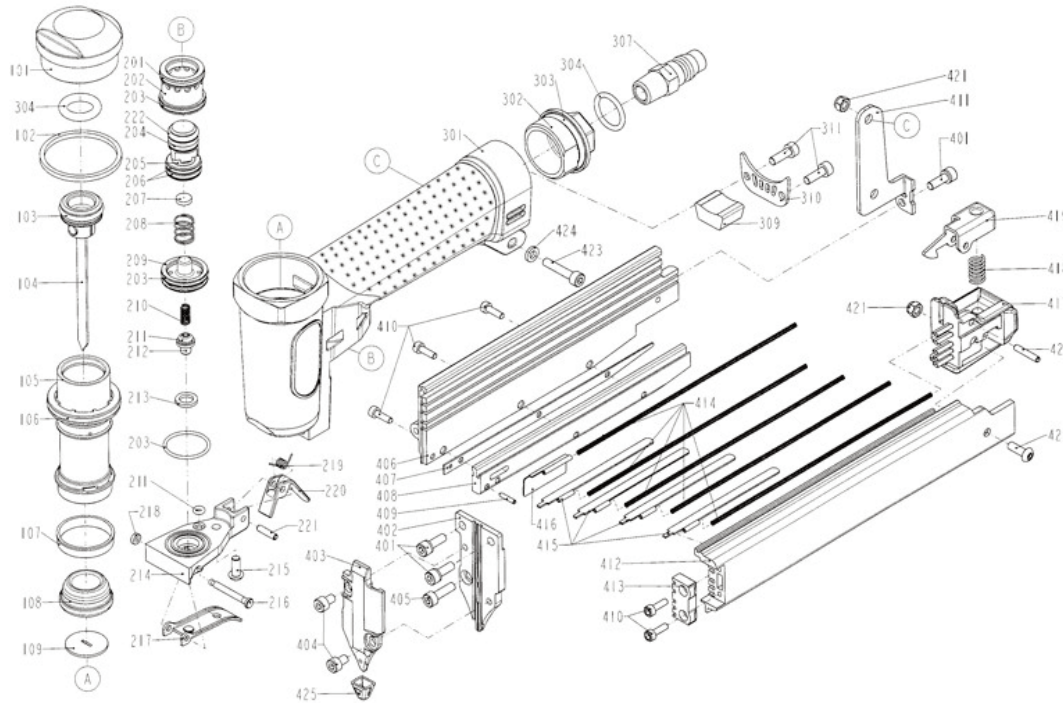


A6435 35mm HEADLESS PINNER

For replacement parts contact your usual Tacwise supplier.

Exploded view drawing



Item	Description	Item	Description
101	Deflector	311	Hex. Soc. HD. Bolt
102	Packing	401	Bolt Assembly
103	O-Ring	402	Driver Guide
104	Driver Unit	403	Driver Guide Cover A
105	Cylinder	404	Hex. Soc. HD. Bolt
106	O-Ring	405	Hex. Soc. HD. Bolt
107	Cylinder Ring	406	Magazine A
108	Bumper	407	Flat Bar
109	Driver Guide	408	Magazine B
201	O-Ring	409	Spring Pin
202	Trigger Valve Head	410	Hex. Soc. HD. Bolt
203	O-Ring	411	Bracket
204	O-Ring	412	Magazine B
205	Valve Plunger	413	Fixed Support
206	O-Ring	414	Pusher Spring
207	Cushion	415	Stopper
208	Spring	416	Pusher
209	Plunger Cap	417	Protecting Hood Cover
210	Spring	418	Safety Spring
211	O-Ring	419	Latch
212	Plunger	420	Spring Pin
213	Collar	421	Lock Nut
214	Plunger Cap	422	Half Round HD. Hex. Bolt
215	Half Round HD. Hex. Bolt	423	Hex. Soc. HD. Bolt
216	Trigger Pivot Pin	424	Flat Washer
217	Trigger	425	Protective Casing
218	Urethane Retainer		
219	Spring		
220	Safety Stopper		
221	Spring Pin		
222	O-Ring		
301	Gun Body Unit		
302	End Cap		
303	O-Ring		
304	O-Ring		
307	Air Plug		
309	Muffer		
310	Guide Plate		