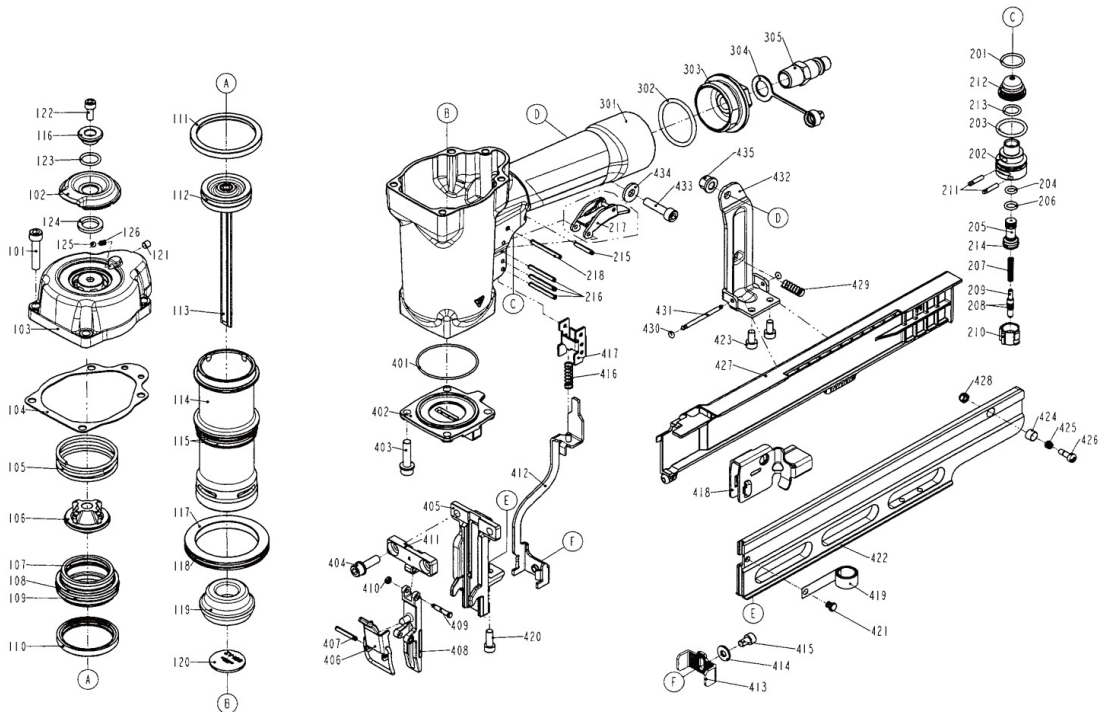


F1450M 50mm HEAVY DUTY STAPLER

For replacement parts contact your usual Tacwise supplier.

Exploded view drawing



Item	Description	Item	Description	Item	Description
101	Hex. Soc. HD. Bolt	213	O-Ring	428	Lock Nut
102	Deflector	214	O-Ring	429	Safety Spring
103	Cap	215	Spiral Pins	430	O-Ring
104	Cylinder Cap Seal	216	Spiral Pins	431	Hinge Point
105	Compression Spring	217	Trigger Unit	432	Bracket Unit
106	Seal	218	Spiral Pins	433	Hex. Soc. HD. Bolt
107	O-Ring	301	Gun Body Unit	434	Flat Washer
108	HD. Valve Piston	302	O-Ring	435	Bolt Cap
109	O-Ring	303	End Cap		
110	Collar	304	Dust Cover		
111	Press Ring	305	Air Plug		
112	O-Ring	401	O-Ring		
113	Driver Unit	402	Base		
114	Cylinder	403	Hex. Soc. HD. Bolt		
115	O-Ring	404	Bolt Assembly		
116	Washer	405	Back Plate (Driver Guide)		
117	Cylinder Spacer	406	Lock Handle Unit		
118	O-Ring	407	Spiral Pins		
119	Bumper	408	Driver Guide Cover A		
120	Driver Guide	409	Fixed Pin		
121	Hex. Soc. HD. Screw	410	Urethane Retainer		
122	Hex. Soc. HD. Bolt	411	Driver Guide Cover B		
123	O-Ring	412	Safety B Unit		
124	Rubber Pad	413	Safety A		
125	Ball	414	Flat Washer		
126	Positioning Spring	415	Hex. Soc. HD. Bolt		
201	O-Ring	416	Safety Spring		
202	Plunger Cap	417	Safety Guide		
203	O-Ring	418	Pusher		
204	O-Ring	419	Spring		
205	Valve Plunger	420	Bolt Assembly		
206	O-Ring	421	Fixed Pin		
207	Spring	422	Magazine A		
208	O-Ring	423	Hex. Soc. HD. Bolt		
209	Plunger	424	Deep Impact Socket 1		
210	Trigger Valve Head	425	Latch Spring		
211	Pin	426	Door Latch		
212	Cover Plunger	427	Mounting Bracket		