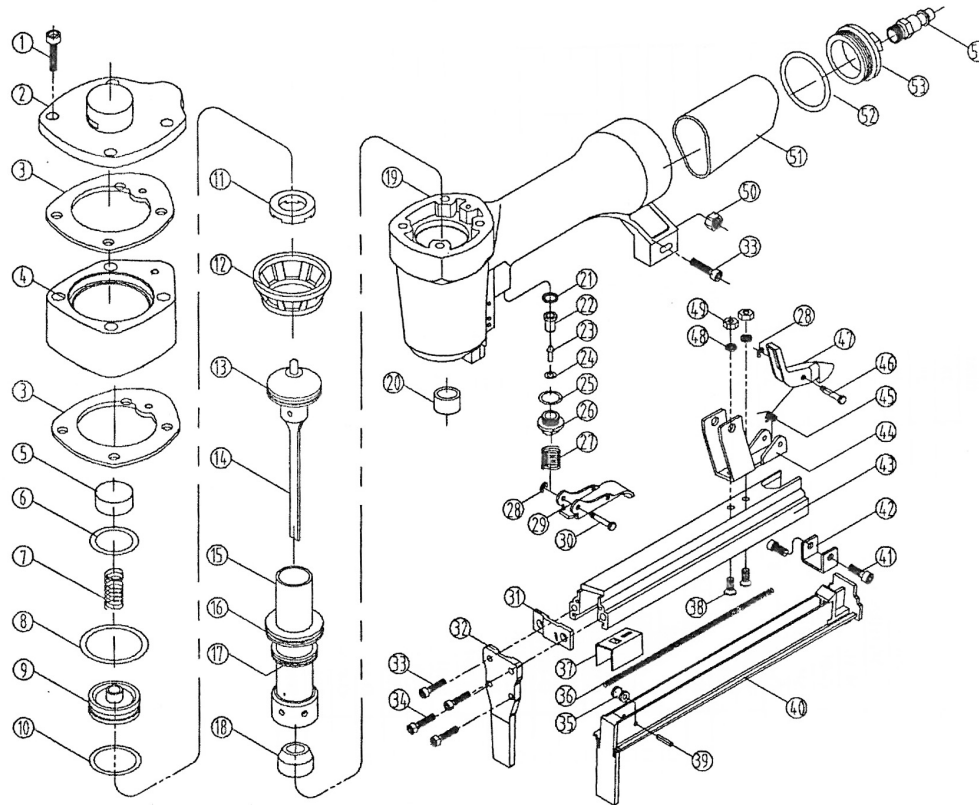


A8016LN EXTRA LONG NOSE 80 STAPLER

For replacement parts contact your usual Tacwise supplier.

Exploded view drawing



Item	Description	Item	Description
1	Screw	39	Pin
2	Exhaust Cover	40	Movable Magazine
3	Gasket	41	Screw
4	Lengthen Loop	42	Stop Piece
5	Seal	43	Fixed Magazine
6	O-Ring 15.7 x 2	44	Support
7	Spring	45	Torsion Spring
8	O-Ring 31.3 x 2.3	46	Pin
9	Valve	47	Lock
10	O-Ring 26.8 x 2.8	48	Washer
11	Stopped Washer	49	Nut
12	Collar	50	Nut
13	O-Ring 23.3 x 3	51	Soft Grip Sleeve
14	Piston Assembly	52	O-Ring 40.2 x 2.3
15	Cylinder	53	End Cap
16	O-Ring 35.3 x 2.5	54	Air Plug
17	O-Ring 28 x 2		
18	Bumper		
19	Body		
20	Joint Guide		
21	Seal		
22	Trigger Valve Head		
23	Trigger Valve Stem		
24	O-Ring 6.5 x 1.4		
25	O-Ring 15 x 1.9		
26	Trigger Valve Guide		
27	Spring		
28	Locking Washer		
29	Trigger		
30	Pin		
31	Plate		
32	Drive Guide		
33	Screw		
34	Screw		
35	Wheel		
36	Tension Spring		
37	Feeder Shoe		
38	Screw		