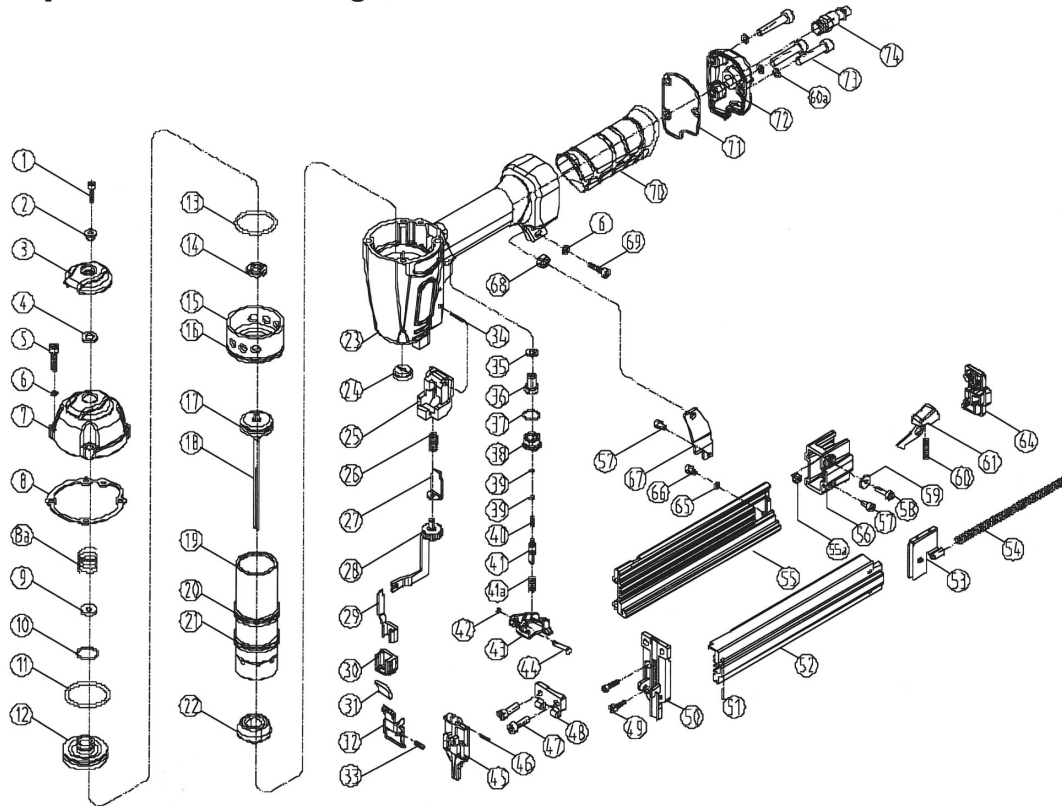


C9032V 32mm NARROW CROWN STAPLER

For replacement parts contact your usual Tacwise supplier.

Exploded view drawing



Item	Description	Item	Description
1	Screw	39	O-Ring 5.5 x 1.5
2	Bushing	40	Spring
3	Exhaust Cover	41	Trigger Valve Stem
4	Washer	42	Washer
5	Screw	43	Trigger Assembly
6	Spring Washer	44	Trigger Pin
7	Cylinder Cap	45	Front Plate
8	Gasket	46	Spring Pin
9	Valve Seat	47	Screw
10	O-Ring 15.7 x 2	48	Plate
11	O-Ring 38.8 x 3	49	Screw
12	Valve	50	Driver Guide
13	O-Ring 33.5 x 3.5	51	Spring Pin
14	Stopped Washer	52	Movable Magazine
15	Collar	53	Feeder Shoe
16	O-Ring 50.5 x 2.5	54	Spring
17	O-Ring 28.3 x 3	55	Fixed Magazine
18	Piston Assembly	55a	Nut
19	Cylinder	56	Magazine Plate
20	O-Ring 36.3 x 2.5	57	Screw
21	O-Ring 35.3 x 2.5	58	Screw
22	Bumper	59	Bushing
23	Body	60	Spring
24	Joint Guide	60a	Washer
25	Safety Guide	61	Lock
26	Spring	64	Joint Guide
27	Safety Bracket	65	Washer
28	Safety Bracket	66	Stopped Screw
29	Safety	67	Support
30	Safety Sleeve	68	Screw
31	Latch Sleeve	69	Nut
32	Latch Assembly	70	Soft Grip Sleeve
33	Spring Pin	71	Gasket
34	Spring Pin	72	End Cap
35	Seal	73	Screw
36	Trigger Valve	74	Air Plug
37	O-Ring 15 x 1.9		
38	Trigger Valve Guide		