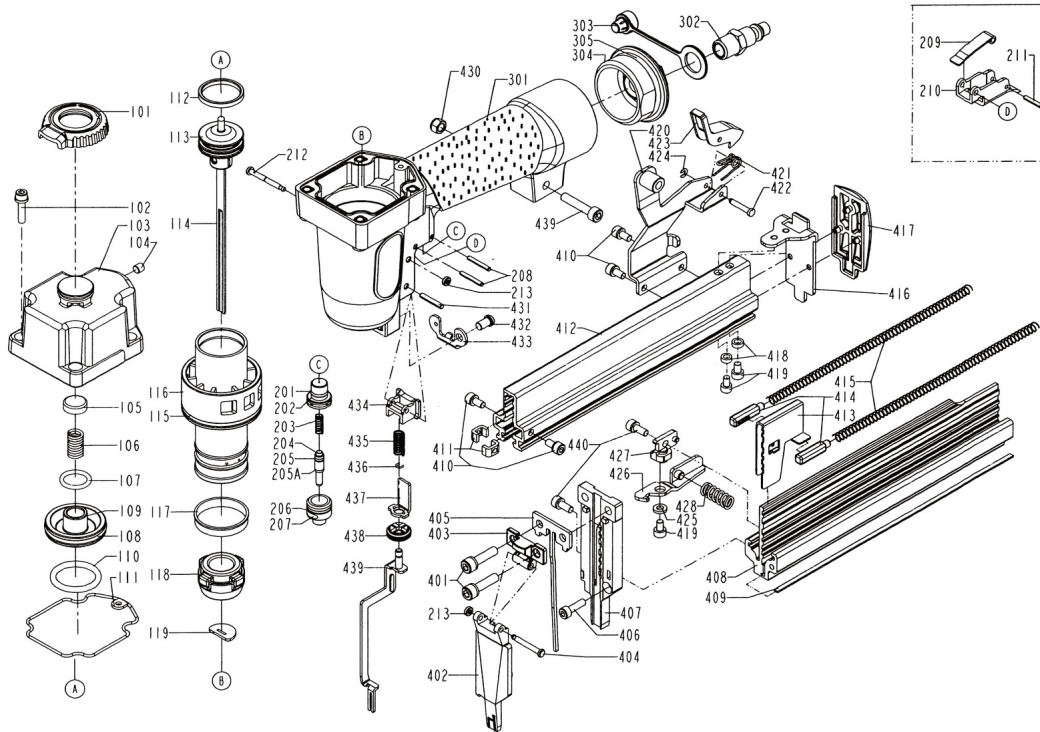


DNS50PHH AIR STAPLER/NAILER

For replacement parts contact your usual Tacwise supplier.

Exploded view drawing



Item	Description	Item	Description
101	Deflector	403	Driver Guide Cover B
102	Bolt W/Flat Washer	404	Fixed Pin
103	Cap Unit	405	Spring
104	Hex. Soc. HD. Screw	406	Hex. Soc. HD. Bolt
105	Seal	407	Driver Guide
106	Compression Spring	408	Magazine A
107	O-Ring	409	Flat Bar
108	O-Ring	410	Bolt Assembly
109	HD. Valve Piston	411	Stopper
110	O-Ring	412	Magazine B
111	Packing	413	Pusher
112	Piston Ring	414	Shaft
113	O-Ring	415	Pusher Spring
114	Driver Unit	416	Rear Plate
115	O-Ring	417	Protecting Hood Cover
116	Cylinder	418	Washer
117	Cylinder Ring	419	Hex. Soc. HD. Bolt
118	Bumper	420	Bracket
119	Driver Guide	421	Spring
201	O-Ring	422	Latch Pin
202	Trigger Valve Head	423	Latch
203	Spring	424	E-Ring
204	Plunger	425	Flat Washer
205	O-Ring	426	Latch
205a	O-Ring	427	Anchor Block
206	O-Ring	428	Lock Spring
207	Plunger Cap	429	Hex. Soc. HD. Bolt
208	Spring Pin	430	Lock Nut
209	Secondary Trigger	431	Spring Pin
210	Trigger	432	Half Round HD. Hex. Bolt
211	Spring Pin	433	Stopper
212	Trigger Pivot Pin	434	Safety Guide
213	Urethane Retainer	435	Safety Spring
301	Gun Body Unit	436	Ring
302	Air Plug	437	Safety B
304	End Cap	438	Adjust Axie
305	O-Ring	439	Safety A
401	Bolt Assembly	440	Bolt Assembly
402	Driver Guide Cover A		